

Catálogo 2021



# VÁLVULAS PARA MOTOR

NUEVA  
LINEA

HERKO  
Automotive Group

# GUÍA DE LECTURA

## ¿Cómo leer el catálogo de Válvulas para motor de HOOF?

Este catálogo cuenta con una sección de información, aplicaciones y fotos de los productos.

A continuación se describe la tabla correspondiente:



**CADILLAC** **ARMADORA**

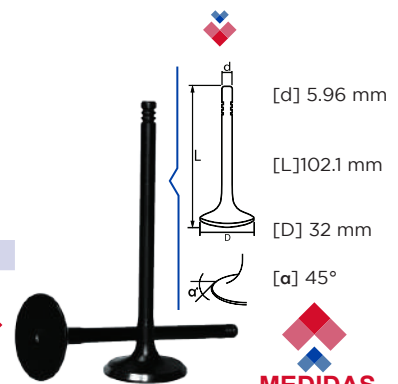
**H3140-AC** **No. DE VÁLVULA**

MODELO	AÑOS	MOTOR
CTS	03-05	3.2LTS, V6 DOHC 24VALV, 197CID

**MODELO DEL VEHÍCULO**

**FOTOGRAFÍA DEL PRODUCTO**

### ISOMÉTRICO



**MEDIDAS DE LA PIEZA**

### TABLA DE APLICACIONES



Válvulas de escape y admisión.

# ÍNDICE

## ARMADORA ADMISIÓN ESCAPE

### LIGEROS PÁGINAS PÁGINAS

ACURA		26
AUDI	6	26
CADILLAC	6	27
CHRYSLER	6-7-8	27
FIAT	8	27-28
FORD	9-10-11	28-29
GENERAL MOTORS	11-12-13	29-30-31-32
HONDA	13	33
HYUNDAI	13	33
ISUZU	14	33
JEEP	14	-
KIA	14	34
LAND ROVER	14	34
LINCOLN	15	34
MAZDA	15-16	35
MERCURY	17	35-36
MITSUBISHI	17	36
NISSAN	18-19	36-37-38
PEUGEOT	20	38
PONTIAC	20-21	39
RENAULT	21	40
SEAT	21-22	40
TOYOTA	22	41
VOLKSWAGEN	23-24	41-42

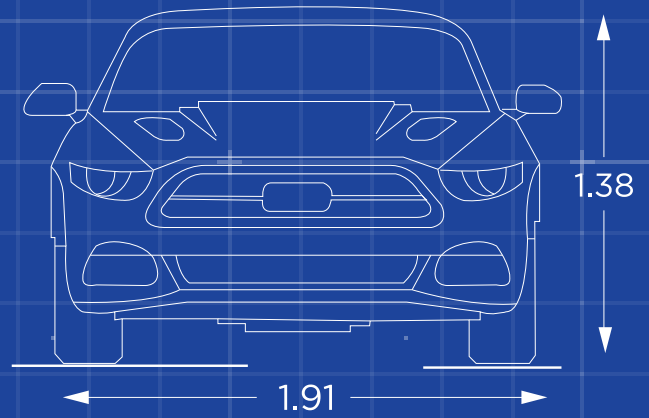
## ARMADORA ADMISIÓN ESCAPE

### EQUIPO PESADO PÁGINAS PÁGINAS

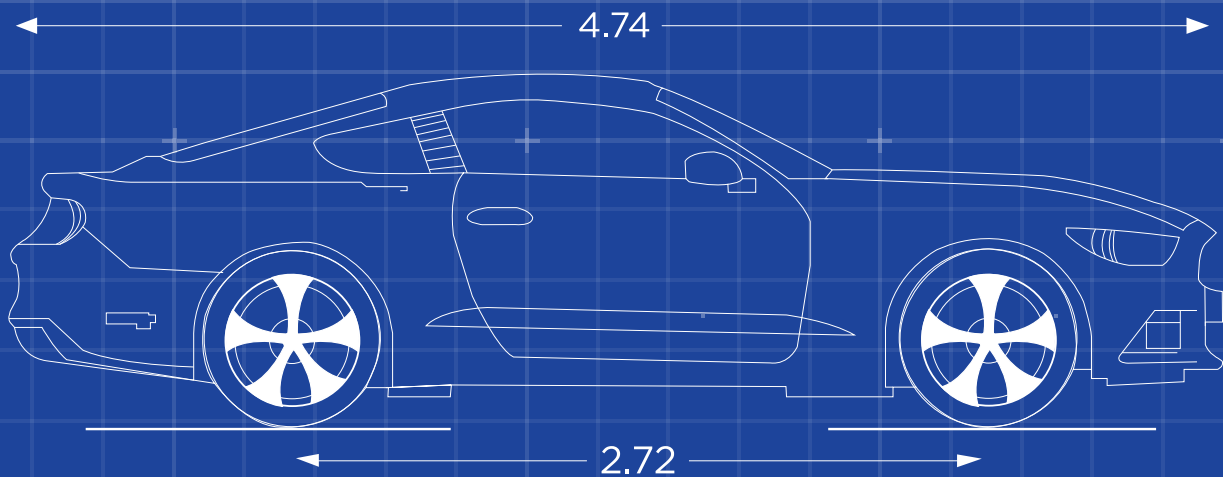
CATERPILLAR	46	52
CUMMINS	47	52-53
DETROIT	48	-
KOMATSU	48	54
MERCEDES-BENZ	48	54
NAVISTAR	-	54
PERKINS	49	55
SAAB	49	55
VOLVO	49	55



**VÁLVULAS DE  
ADMISIÓN Y ESCAPE  
PARA MOTORES**



# LIGEROS





## CURIOSIDADES DE LAS VÁLVULAS DE ADMISIÓN:

1. Su temperatura de trabajo ronda los 300 °C.
2. Disipa la temperatura a través del contacto del vástago con el aire que entra en la cámara de combustión.
3. La mezcla de aire y combustible entra a través de la válvula de admisión en los motores de carburador. En los de inyección, es el inyector quien se encarga del combustible.



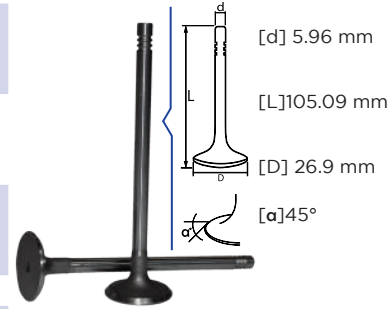
**f HERKO AUTOMOTIVE GROUP MÉXICO**  
**TEL: (55) 5999 1590**

**ADMISIÓN**

# AUDI

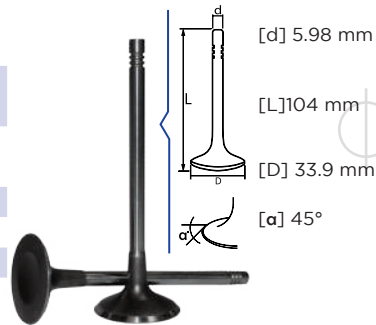
## H3488-AS

MODELO	AÑOS	MOTOR
A3	96-08	1.8LTS, L4 DOHC 20VALV, AEB, AMB, AMU, ATC, ATW, AWM, AWP, BEA TURBO
	96-08	1.8LTS, L4 DOHC 20VALV, AEB, AMB, AMU, ATC, ATW, AWM, AWP, BEA TURBO
A4	98-05	2.8LTS, V6 DOHC 30VALV, AHA, ATQ
	02-06	3.0LTS, V6 DOHC 30VALV, BGN
A4 QUATTRO	96-08	1.8LTS, L4 DOHC 20VALV, AEB, AMB, AMU, ATC, ATW, AWM, AWP, BEA TURBO
	98-05	2.8LTS, V6 DOHC 30VALV, AHA, ATQ
	02-06	3.0LTS, V6 DOHC 30VALV, BGN
	00-05	2.7LTS, V6 DOHC 30VALV, APB, BEL TURBO
A6	98-05	2.8LTS, V6 DOHC 30VALV, AHA, ATQ
	02-06	3.0LTS, V6 DOHC 30VALV, BGN
A6 QUATTRO	00-05	2.7LTS, V6 DOHC 30VALV, APB, BEL TURBO
	98-05	2.8LTS, V6 DOHC 30VALV, AHA, ATQ
	02-06	3.0LTS, V6 DOHC 30VALV, BGN
ALLROAD	00-05	2.7LTS, V6 DOHC 30VALV, APB, BEL TURBO
S3 QUATTRO	96-08	1.8LTS, L4 DOHC 20VALV, AEB, AMB, AMU, ATC, ATW, AWM, AWP, BEA TURBO
S4	00-05	2.7LTS, V6 DOHC 30VALV, APB, BEL TURBO
TT QUATTRO	96-08	1.8LTS, L4 DOHC 20VALV, AEB, AMB, AMU, ATC, ATW, AWM, AWP, BEA TURBO



## H4408-AX

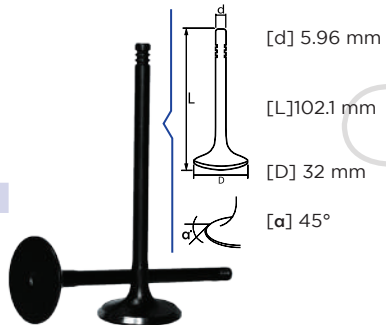
MODELO	AÑOS	MOTOR
A3	05 - 12 06 - 13	1.8LTS, L4 DOHC 16VALV, TURBO TFSI 2.0LTS, L4 DOHC 16VALV, TURBO FSI
A4	05 - 12 06 - 13	1.8LTS, L4 DOHC 16VALV, TURBO TFSI 2.0LTS, L4 DOHC 16VALV, TURBO FSI
A5	06-13	1.8LTS, L4 DOHC 16VALV, TURBO TFSI
A6	05-12	2.0LTS, L4 DOHC 16VALV, TURBO FSI
S4	05-12	2.0LTS, L4 DOHC 16VALV, TURBO FSI
TT	05-12	2.0LTS, L4 DOHC 16VALV, TURBO FSI



# CADILLAC

## H3140-AC

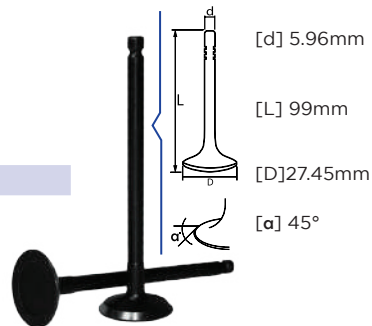
MODELO	AÑOS	MOTOR
CTS	03-05	3.2LTS, V6 DOHC 24VALV, 197CID



# CHRYSLER

## H3738-AN

MODELO	AÑOS	MOTOR
VERNA	03-06	1.5LTS, L4 SOHC 12VALV, G4AE-G4EB ALPPHA I

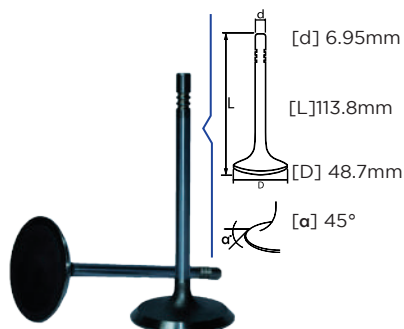


CONTINUA PAGINA 7



## CHRYSLER

H3704-AC



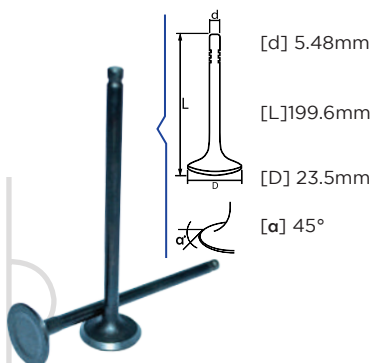
MODELO	AÑOS	MOTOR
ASPEN	00-07	4.7LTS, V8 SOHC 16VALV, 287CID MAGNUM
COMMANDER	02-11	3.7LTS, V6 SOHC 12VAL, 226CID
DAKOTA	02-11	3.7LTS, V6 SOHC 12VAL, 226CID
	00-07	4.7LTS, V8 SOHC 16VALV, 287CID MAGNUM
DURANGO	02-11	3.7LTS, V6 SOHC 12VAL, 226CID
	00-07	4.7LTS, V8 SOHC 16VALV, 287CID MAGNUM
GRAND CHEROKEE	02-11	3.7LTS, V6 SOHC 12VAL, 226CID
LIBERTY	02-11	3.7LTS, V6 SOHC 12VAL, 226CID
NITRO	02-11	3.7LTS, V6 SOHC 12VAL, 226CID
	02-11	3.7LTS, V6 SOHC 12VAL, 226CID
RAM1500	00-07	4.7LTS, V8 SOHC 16VALV, 287CID MAGNUM
	00-07	4.7LTS, V8 SOHC 16VALV, 287CID MAGNUM

H3834-AC

PROXIMAMENTE

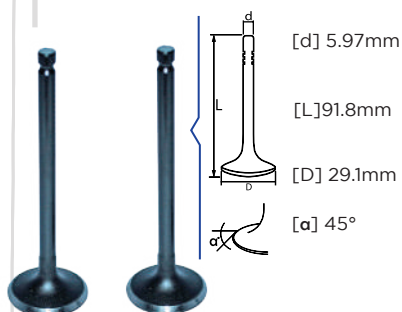
MODELO	AÑOS	MOTOR
CARAVAN	02-09	2.4LTS, L4 DOHC 16VALV, 148CID EDZ (INCLUYE TURBO)
NEON SRT	01-09	2.4LTS, L4 DOHC 16VALV, 148CID EDV-EDT (G TURBO)
PT CRUISER	02-09	2.4LTS, L4 DOHC 16VALV, 148CID EDZ (INCLUYE TURBO)
PT CRUISER R/T	01-09	2.4LTS, L4 DOHC 16VALV, 148CID EDV-EDT (G TURBO)
SEBRING	02-09	2.4LTS, L4 DOHC 16VALV, 148CID EDZ (INCLUYE TURBO)
STRATUS	02-09	2.4LTS, L4 DOHC 16VALV, 148CID EDZ (INCLUYE TURBO)
STRATUS R-T	01-09	2.4LTS, L4 DOHC 16VALV, 148CID EDV-EDT (G TURBO)
VOYAGER	02-09	2.4LTS, L4 DOHC 16VALV, 148CID EDZ (INCLUYE TURBO)

7



MODELO	AÑOS	MOTOR
ATOS	05-09	L4 1.1L(1086CC) SOHC 12V

H4050-AN



MODELO	AÑOS	MOTOR
ATTITUDE	06-11	1.4LTS, L4 DOHC 16VALV, G4EE
	01-09	1.6LTS, L4 DOHC 16VALV, G4ED ALPHA II
VERNA	01-09	1.6LTS, L4 DOHC 16VALV, G4ED ALPHA II

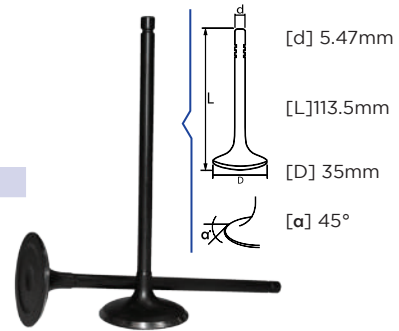
H4152-AN

CONTINUA PAGINA 8

# CHRYSLER

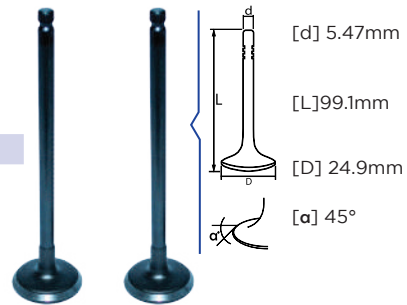
## H4336-AC

MODELO	AÑOS	MOTOR
CALIBER	07-09	1.8L, L4 16V



## H4426-AN

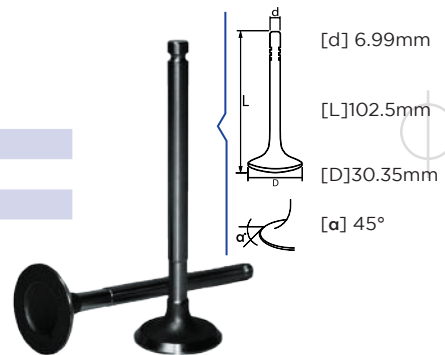
MODELO	AÑOS	MOTOR
I10	11-13	1.1L, L4 SHC 12V



# FIAT

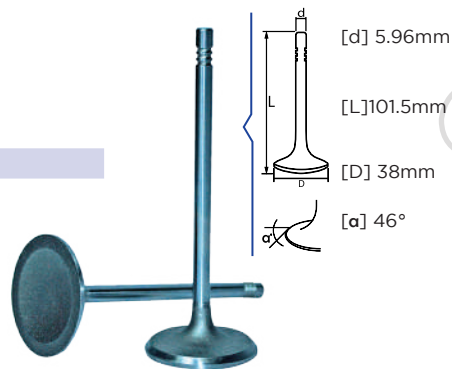
## H3514-AC

MODELO	AÑOS	MOTOR
PALIO ADVENTURE	04-05	1.6LTS, L4 DOHC 16VALV, 182B6000
PALIO HACHBACK	04-05	1.6LTS, L4 DOHC 16VALV, 182B6000
PALIO SEDAN	04-05	1.6LTS, L4 DOHC 16VALV, 182B6000
STILO	04-05	1.6LTS, L4 DOHC 16VALV, 182B6000



## H3912-AC

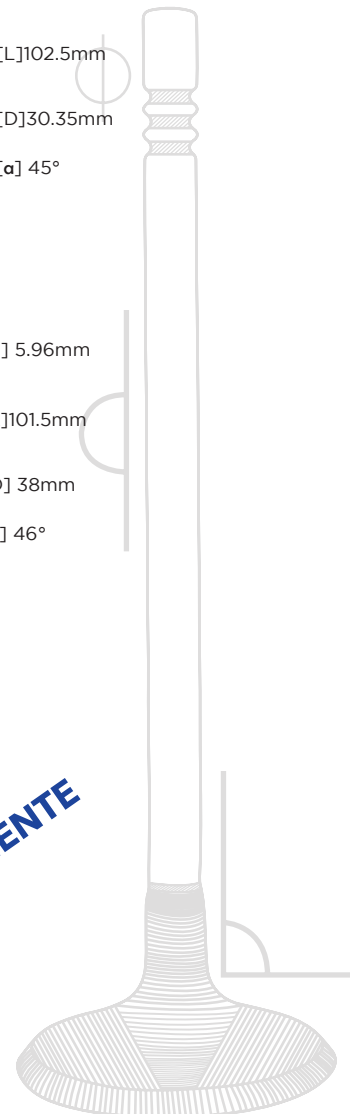
MODELO	AÑOS	MOTOR
PALIO ADVENTURE	06-12	1.8LTS, L4 SOHC 8VALV, (MOTOR OPEL C18NZ)
STRADA	06-12	1.8LTS, L4 SOHC 8VALV, (MOTOR OPEL C18NZ)



## H4112-AC

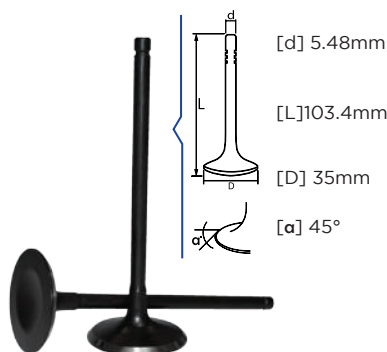
MODELO	AÑOS	MOTOR
DUCATO		L4,2.3L(2287CC)DOHC16VÁL.F1AEJTD,

**PROXIMAMENTE**



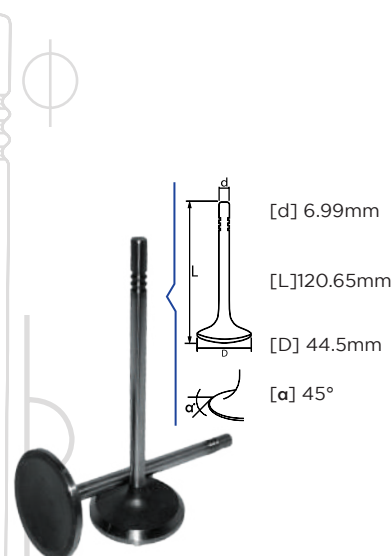
# FORD

## H3094-AC



MODELO	AÑOS	MOTOR
ECOSPORT	01-10	2.0LTS, L4 DOHC 16VALV, 121CID DURATEC
ESCAPE	01-10	2.3LTS, L4 DOHC 16VALV, 140CID-DURATEC (L3-V3)
	09-12	2.5LTS, L4 DOHC 16VALV, DURATEC (MOTOR ALUMINIO)
FOCUS	01-10	3.0LTS, V6 DOHC 24VALV, 182CID DURATEC
	01-10	2.0LTS, L4 DOHC 16VALV, 121CID DURATEC
FUSION	01-10	2.3LTS, L4 DOHC 16VALV, 140CID-DURATEC (L3-V3)
	09-12	2.5LTS, L4 DOHC 16VALV, DURATEC (MOTOR ALUMINIO)
MERCURY	09-12	2.5LTS, L4 DOHC 16VALV, DURATEC (MOTOR ALUMINIO)
MILAN	01-10	2.3LTS, L4 DOHC 16VALV, 140CID-DURATEC (L3-V3)
	09-12	2.5LTS, L4 DOHC 16VALV, DURATEC (MOTOR ALUMINIO)
MONDEO	01-10	2.0LTS, L4 DOHC 16VALV, 121CID DURATEC
RANGER	01-10	2.3LTS, L4 DOHC 16VALV, 140CID-DURATEC (L3-V3)

## H3538-AC



MODELO	AÑOS	MOTOR
COBRA	99-10	4.6LTS, V8 SOHC 16VALV, 281CID-TRITON WINDOSR-ROMERO
CROWN VICTORIA	99-10	4.6LTS, V8 SOHC 16VALV, 281CID-TRITON WINDOSR-ROMERO
E150	99-10	5.4LTS, V8 SOHC 16VALV, 330CID-POWER IMPROVED
E150 ECONOLINE	99-10	4.6LTS, V8 SOHC 16VALV, 281CID-TRITON WINDOSR-ROMERO
E250	99-10	5.4LTS, V8 SOHC 16VALV, 330CID-POWER IMPROVED
E250 ECONOLINE	99-10	4.6LTS, V8 SOHC 16VALV, 281CID-TRITON WINDOSR-ROMERO
E350	99-10	5.4LTS, V8 SOHC 16VALV, 330CID-POWER IMPROVED
E350 CLUB WAGON	00-10	6.8LTS, V10 SOHC 20VALV, 415CID-TRITON POWER IMPROVED
E350 ECONOLINE	99-10	5.4LTS, V8 SOHC 16VALV, 330CID-POWER IMPROVED
E350-E450-E550	00-10	6.8LTS, V10 SOHC 20VALV, 415CID-TRITON POWER IMPROVED
E450 ECONOLINE	99-10	5.4LTS, V8 SOHC 16VALV, 330CID-POWER IMPROVED
E450 SUPER DUTY	99-10	5.4LTS, V8 SOHC 16VALV, 330CID-POWER IMPROVED
E550 ECONOLINE	00-10	6.8LTS, V10 SOHC 20VALV, 415CID-TRITON POWER IMPROVED
ECONOLINE	00-10	6.8LTS, V10 SOHC 20VALV, 415CID-TRITON POWER IMPROVED
EXCURSION	99-10	5.4LTS, V8 SOHC 16VALV, 330CID-POWER IMPROVED
EXCURSION	00-10	6.8LTS, V10 SOHC 20VALV, 415CID-TRITON POWER IMPROVED
	99-10	4.6LTS, V8 SOHC 16VALV, 281CID-TRITON WINDOSR-ROMERO
EXPEDITION	99-10	5.4LTS, V8 SOHC 16VALV, 330CID-POWER IMPROVED
F150	99-10	4.6LTS, V8 SOHC 16VALV, 281CID-TRITON WINDOSR-ROMERO
	99-10	5.4LTS, V8 SOHC 16VALV, 330CID-POWER IMPROVED
F250	99-10	4.6LTS, V8 SOHC 16VALV, 281CID-TRITON WINDOSR-ROMERO
	99-10	5.4LTS, V8 SOHC 16VALV, 330CID-POWER IMPROVED
F350 SUPER DUTY	99-10	5.4LTS, V8 SOHC 16VALV, 330CID-POWER IMPROVED
GRAND MARQUIS	99-10	4.6LTS, V8 SOHC 16VALV, 281CID-TRITON WINDOSR-ROMERO
MUSTANG GT	99-10	4.6LTS, V8 SOHC 16VALV, 281CID-TRITON WINDOSR-ROMERO
SUPER DUTY F250	00-10	6.8LTS, V10 SOHC 20VALV, 415CID-TRITON POWER IMPROVED
SUPER DUTY F350	00-10	6.8LTS, V10 SOHC 20VALV, 415CID-TRITON POWER IMPROVED
SUPER DUTY F450	00-10	6.8LTS, V10 SOHC 20VALV, 415CID-TRITON POWER IMPROVED
SUPER DUTY F550	00-10	6.8LTS, V10 SOHC 20VALV, 415CID-TRITON POWER IMPROVED
THUNDERBIRD	99-10	4.6LTS, V8 SOHC 16VALV, 281CID-TRITON WINDOSR-ROMERO

CONTINUA PAGINA 10

# FORD

## H3832-AC

MODELO	AÑOS	MOTOR
EXPEDITION	04-10	5.4LTS, V8 SOHC 24VALV, 330CID-POWER IMPROVED- VCT
EXPLORER	05-09	4.6LTS, V8 SOHC 24VALV, 281CID-TRITON
EXPLORER SPORTRAC	05-09	4.6LTS, V8 SOHC 24VALV, 281CID-TRITON
F150	05-09	4.6LTS, V8 SOHC 24VALV, 281CID-TRITON
F250	04-10	5.4LTS, V8 SOHC 24VALV, 330CID-POWER IMPROVED- VCT
F250	05-11	6.8LTS, V10 SOHC 30VALV, 415CID- TRITON
F250 SUPER DUTY	04-10	5.4LTS, V8 SOHC 24VALV, 330CID-POWER IMPROVED- VCT
F350	05-11	6.8LTS, V10 SOHC 30VALV, 415CID- TRITON
F350 SUPER DUTY	04-10	5.4LTS, V8 SOHC 24VALV, 330CID-POWER IMPROVED- VCT
F450	05-11	6.8LTS, V10 SOHC 30VALV, 415CID- TRITON
F550	05-11	6.8LTS, V10 SOHC 30VALV, 415CID- TRITON
LOBO	04-10	5.4LTS, V8 SOHC 24VALV, 330CID-POWER IMPROVED- VCT
MUSTANG	05-09	4.6LTS, V8 SOHC 24VALV, 281CID-TRITON
SUPER DUTY SERIES	05-11	6.8LTS, V10 SOHC 30VALV, 415CID- TRITON

## H3978-AC

MODELO	AÑOS	MOTOR
EXPLORER	97-10	4.0LTS, V6 SOHC 12VALV, 245CID- COLOGNE
EXPLORER SPORTRAC	97-10	4.0LTS, V6 SOHC 12VALV, 245CID- COLOGNE
MOUNTAINEER	97-10	4.0LTS, V6 SOHC 12VALV, 245CID- COLOGNE
MUSTANG	97-10	4.0LTS, V6 SOHC 12VALV, 245CID- COLOGNE
RANGER	97-10	4.0LTS, V6 SOHC 12VALV, 245CID- COLOGNE

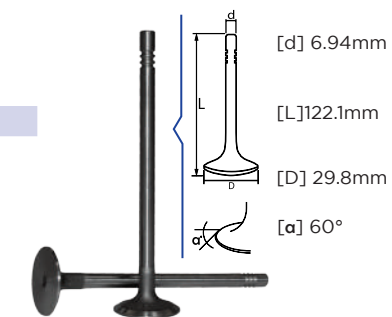
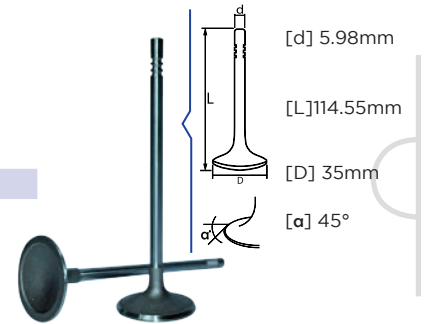
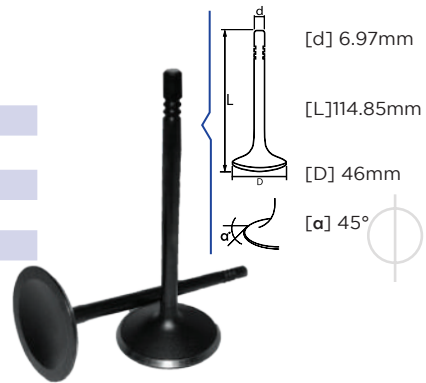
## H3990-AC

MODELO	AÑOS	MOTOR
FIVEHUNDRED	01-10	3.0LTS, V6 DOHC 24VALV, 182CID DURATEC
FUSION	01-10	3.0LTS, V6 DOHC 24VALV, 182CID DURATEC

## H4292-AC

MODELO	AÑOS	MOTOR
TRANSIT	07-11	2.2LTS, L4 DOHC 16VALV, DURATORQ ZSD-422 TURBO DIESEL
TRANSIT VAN	07-11	2.2LTS, L4 DOHC 16VALV, DURATORQ ZSD-422 TURBO DIESEL

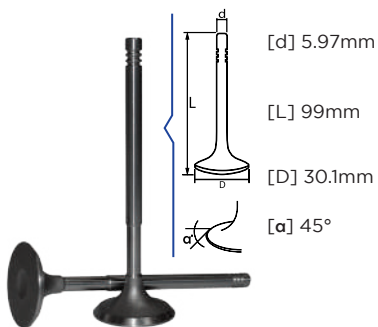
PROXIMAMENTE



CONTINUA PAGINA 11

## FORD

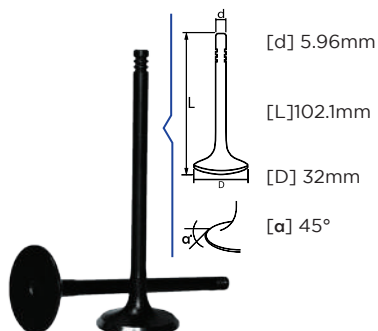
H4344-AN



MODELO	AÑOS	MOTOR
FIESTA	12-16	1.6

## GENERAL MOTORS

H3140-AC



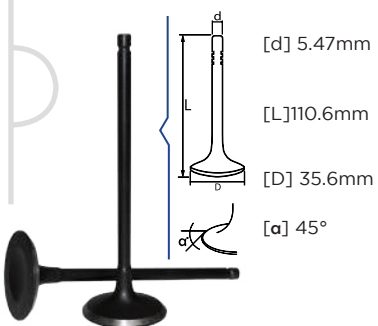
MODELO	AÑOS	MOTOR
ASTRA	04-08	2.4LTS, L4 DOHC 16VALV. (MOTOR OPEL Z24XE)
OPTRA	04-11	2.0LTS, L4 DOHC 16VALV. (MOTOR OPEL X20SED)
VECTRA	03-05	3.2LTS, V6 DOHC 24VALV. 197CID

H3146-AC



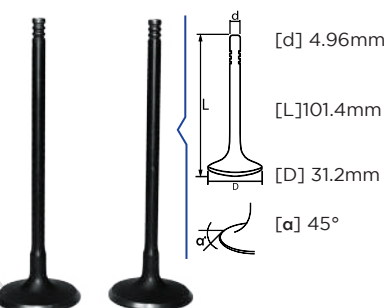
MODELO	AÑOS	MOTOR
CHEVY C2	96-09	1.6LTS, L4 SOHC 8VALV. (MOTOR OPEL C16N2-C16NE-Y16NE)
CHEVY CONFORT	96-09	1.6LTS, L4 SOHC 8VALV. (MOTOR OPEL C16N2-C16NE-Y16NE)
CHEVY JOY	94-03	1.4LTS, L4 SOHC 8VALV. (MOTOR OPEL C14NZ)
CHEVY MONZA	96-09	1.6LTS, L4 SOHC 8VALV. (MOTOR OPEL C16N2-C16NE-Y16NE)
CHEVY PICKUP	96-09	1.6LTS, L4 SOHC 8VALV. (MOTOR OPEL C16N2-C16NE-Y16NE)
CHEVY POP	94-03	1.4LTS, L4 SOHC 8VALV. (MOTOR OPEL C14NZ)
CHEVY STATION WAGON	96-09	1.6LTS, L4 SOHC 8VALV. (MOTOR OPEL C16N2-C16NE-Y16NE)
CHEVY SWING	94-03	1.4LTS, L4 SOHC 8VALV. (MOTOR OPEL C14NZ)
	96-09	1.6LTS, L4 SOHC 8VALV. (MOTOR OPEL C16N2-C16NE-Y16NE)

H3794-AN



MODELO	AÑOS	MOTOR
MAT IZ	04-09	1.0LTS, L4 SOHC 8VALV. (MOTOR SUZUKI B10S1)

H3808-A



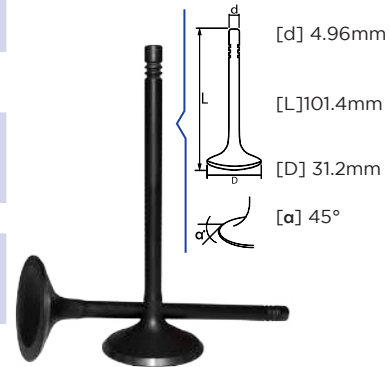
MODELO	AÑOS	MOTOR
ASTRA	00-06	1.8LTS, L4 DOHC 16VALV. (MOTOR OPEL Z18XE-Z18XEL-X18XE1-X18XE)
ZAFIRA	00-06	1.8LTS, L4 DOHC 16VALV. (MOTOR OPEL Z18XE-Z18XEL-X18XE1-X18XE)

CONTINUA PAGINA 12

# GENERAL MOTORS

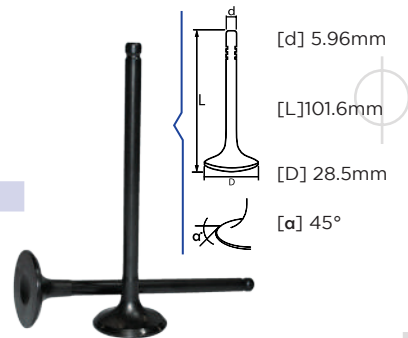
## H3806-AC

MODELO	AÑOS	MOTOR
ASTRA	01-10	2.2LTS, L4 DOHC 16VALV, 134CID (MOTOR OPEL Z22SE)
	01-10	2.2LTS, L4 DOHC 16VALV, 134CID (MOTOR OPEL Z22SE)-ECOTEC L61
CAPTIVA	06-12	2.4LTS, L4 DOHC 16VALV, LE5-LE9 FLEX FUEL ECOTEC
CAVALIER	01-10	2.2LTS, L4 DOHC 16VALV, 134CID (MOTOR OPEL Z22SE)
	01-10	2.2LTS, L4 DOHC 16VALV, 134CID (MOTOR OPEL Z22SE)-ECOTEC L61
CLASSIC	01-10	2.2LTS, L4 DOHC 16VALV, 134CID (MOTOR OPEL Z22SE)
	01-10	2.2LTS, L4 DOHC 16VALV, 134CID (MOTOR OPEL Z22SE)-ECOTEC L61
	01-10	2.2LTS, L4 DOHC 16VALV, 134CID (MOTOR OPEL Z22SE)
COBALT	01-10	2.2LTS, L4 DOHC 16VALV, 134CID (MOTOR OPEL Z22SE)-ECOTEC L61
	06-12	2.4LTS, L4 DOHC 16VALV, LE5-LE9 FLEX FUEL ECOTEC
ECOTEC L61	01-10	2.2LTS, L4 DOHC 16VALV, 134CID (MOTOR OPEL Z22SE)
	01-10	2.2LTS, L4 DOHC 16VALV, 134CID (MOTOR OPEL Z22SE)
HHR	01-10	2.2LTS, L4 DOHC 16VALV, 134CID (MOTOR OPEL Z22SE)-ECOTEC L61
	06-12	2.4LTS, L4 DOHC 16VALV, LE5-LE9 FLEX FUEL ECOTEC
MALIBU	01-10	2.2LTS, L4 DOHC 16VALV, 134CID (MOTOR OPEL Z22SE)
	06-12	2.4LTS, L4 DOHC 16VALV, LE5-LE9 FLEX FUEL ECOTEC
VECTRA	01-10	2.2LTS, L4 DOHC 16VALV, 134CID (MOTOR OPEL Z22SE)
	01-10	2.2LTS, L4 DOHC 16VALV, 134CID (MOTOR OPEL Z22SE)-ECOTEC L61
ZAFIRA	01-10	2.2LTS, L4 DOHC 16VALV, 134CID (MOTOR OPEL Z22SE)
	01-10	2.2LTS, L4 DOHC 16VALV, 134CID (MOTOR OPEL Z22SE)-ECOTEC L61



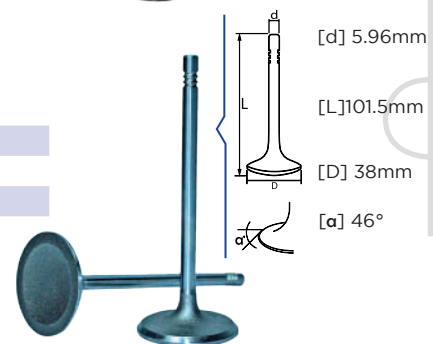
## H3882-AN

MODELO	AÑOS	MOTOR
AVEO	04-09	1.6LTS, L4 DOHC 16VALV, TECH II
AVEO 5M	04-09	1.6LTS, L4 DOHC 16VALV, TECH II



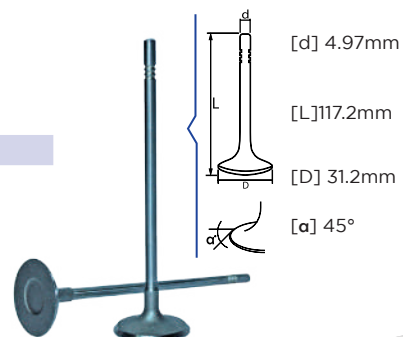
## H3912-AC

MODELO	AÑOS	MOTOR
CORSA	06-10	1.8LTS, L4 SOHC 8VALV, (MOTOR OPEL C18NZ)
MERIVA	06-10	1.8LTS, L4 SOHC 8VALV, (MOTOR OPEL C18NZ)
TORNADO	06-10	1.8LTS, L4 SOHC 8VALV, (MOTOR OPEL C18NZ)



## H4326-AC

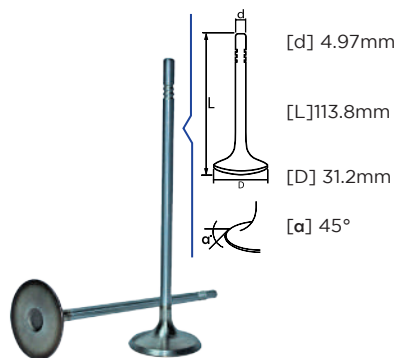
MODELO	AÑOS	MOTOR
AVEO	09-13	1.6LTS, L4 DOHC 16VALV, VVT-LDE-VCT-LXV
SONIC	09-13	1.6LTS, L4 DOHC 16VALV, VVT-LDE-VCT-LXV



CONTINUA PAGINA 13

# GENERAL MOTORS

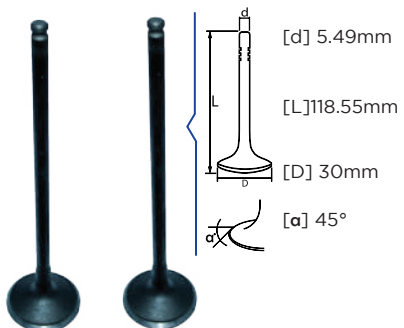
H4388-AC



MODELO	AÑOS	MOTOR
CRUZE	10-13	1.8LTS, L4 DOHC 16VALV, ECOTEC VCT LUW

# HONDA

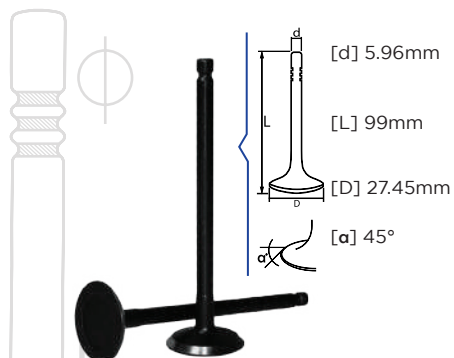
H3854-AN



MODELO	AÑOS	MOTOR
CIVIC	96-00	1.6LTS, L4 SOHC 16VALV, D16Y8 V-TEC
CIVIC DEL SOL	96-00	1.6LTS, L4 SOHC 16VALV, D16Y8 V-TEC
	06-11	1.7LTS, L4 SOHC 16VALV, D17A2 V-TEC

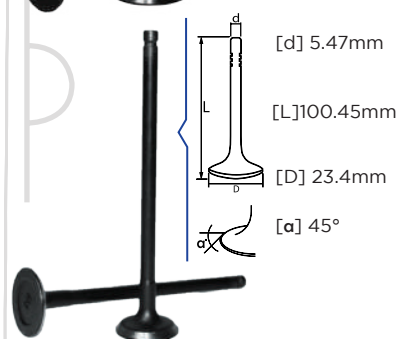
# HYUNDAI

H3738-AN



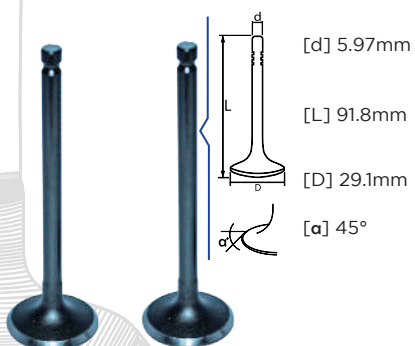
MODELO	AÑOS	MOTOR
ACCENT	93-06	1.5LTS, L4 SOHC 12VALV, G4AE-G4EB ALPPHA I
ELANTRA	93-06	1.5LTS, L4 SOHC 12VALV, G4AE-G4EB ALPPHA I
SCOUPE	93-06	1.5LTS, L4 SOHC 12VALV, G4AE-G4EB ALPPHA I

H3796-AN



MODELO	AÑOS	MOTOR
ATOS	01-04	L4 1.0L(999CC) SOHC 12V

H4152-AN

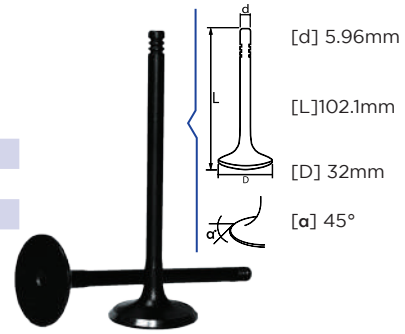


MODELO	AÑOS	MOTOR
ACCENT	06-11	1.4LTS, L4 DOHC 16VALV, G4EE
	01-09	1.6LTS, L4 DOHC 16VALV, G4ED-G4EG ALPHA II
ELANTRA	ELANTRA	A
EXCEL II	01-09	1.6LTS, L4 DOHC 16VALV, G4ED-G4EG ALPHA II
TIBURON	01-09	1.6LTS, L4 DOHC 16VALV, G4ED-G4EG ALPHA II

# ISUZU

## H3140-AC

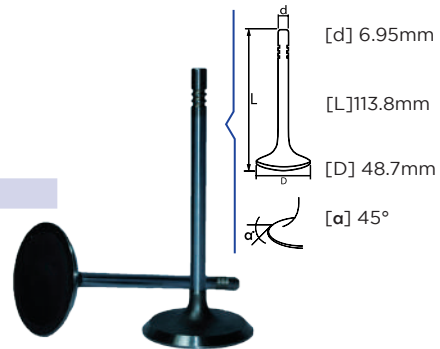
MODELO	AÑOS	MOTOR
AMIGO	98-03	2.2LTS, L4 DOHC 16VALV, X22SE
RODEO	98-03	2.2LTS, L4 DOHC 16VALV, X22SE
RODEO SPORT	98-03	2.2LTS, L4 DOHC 16VALV, X22SE



# JEEP

## H3704-AC

MODELO	AÑOS	MOTOR
COMMANDER	00-07	4.7LTS, V8 SOHC 16VALV, 287CID MAGNUM
GRAND CHEROKEE	00-07	4.7LTS, V8 SOHC 16VALV, 287CID MAGNUM



# KIA

## H4152-AN

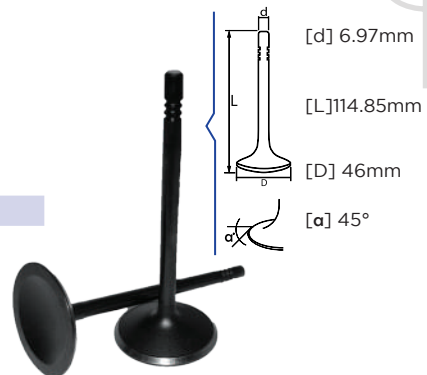
MODELO	AÑOS	MOTOR
CERATO	01-09	1.6LTS, L4 DOHC 16VALV, G4ED-G4EG ALPHA II
PRIDE	01-09	1.6LTS, L4 DOHC 16VALV, G4ED-G4EG ALPHA II
RIOII	01-09	1.6LTS, L4 DOHC 16VALV, G4ED-G4EG ALPHA II
SOUL	01-09	1.6LTS, L4 DOHC 16VALV, G4ED-G4EG ALPHA II



# LAND ROVER

## H3978-AC

MODELO	AÑOS	MOTOR
LR3	05-08	4.0LTS, V6 SOHC 12VALV, 245CID- COLOGNE







# LINCOLN

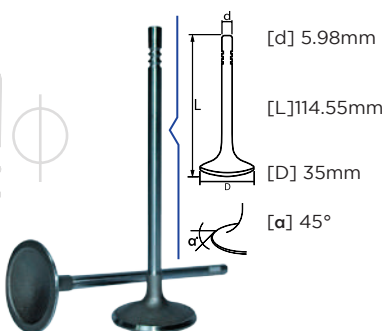
**H3538-AC**

MODELO	AÑOS	MOTOR
NAVIGATOR	99-10	5.4LTS, V8 SOHC 16VALV, 330CID-POWER IMPROVED
TOWNCAR	99-10	4.6LTS, V8 SOHC 16VALV, 281CID-TRITON WINDOSR-ROMERO

**PROXIMAMENTE**

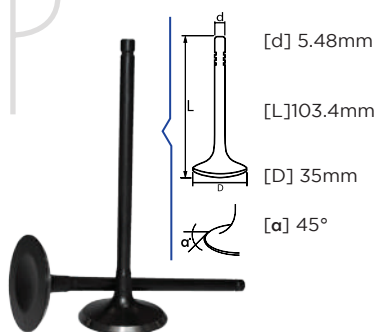
**H3832-AC**

MODELO	AÑOS	MOTOR
MARK LT	04-10	5.4LTS, V8 SOHC 24VALV, 330CID-POWER IMPROVED- VCT
NAVIGATOR	04-10	5.4LTS, V8 SOHC 24VALV, 330CID-POWER IMPROVED- VCT



**H3990-AC**

MODELO	AÑOS	MOTOR
LS	01-10	3.0LTS, V6 DOHC 24VALV, 182CID DURATEC



# MAZDA

**H3094-AC**

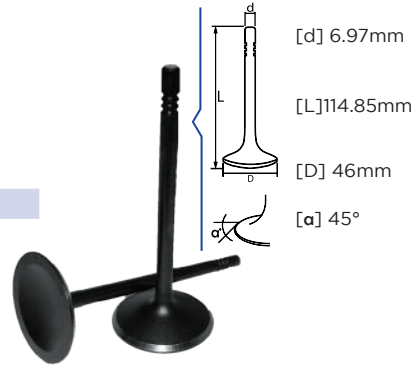
MODELO	AÑOS	MOTOR
3	01-10	2.3LTS, L4 DOHC 16VALV, 140CID-DURATEC (L3-V3)
	09-12	2.5LTS, L4 DOHC 16VALV, DURATEC (MOTOR ALUMINIO)
5	01-10	2.3LTS, L4 DOHC 16VALV, 140CID-DURATEC (L3-V3)
	09-12	2.5LTS, L4 DOHC 16VALV, DURATEC (MOTOR ALUMINIO)
6	01-10	2.3LTS, L4 DOHC 16VALV, 140CID-DURATEC (L3-V3)
	09-12	2.5LTS, L4 DOHC 16VALV, DURATEC (MOTOR ALUMINIO)
B2300	01-10	2.3LTS, L4 DOHC 16VALV, 140CID-DURATEC (L3-V3)
CX-7	09-12	2.5LTS, L4 DOHC 16VALV, DURATEC (MOTOR ALUMINIO)
MIATA	01-10	2.3LTS, L4 DOHC 16VALV, 140CID-DURATEC (L3-V3)
MX-5	01-10	2.3LTS, L4 DOHC 16VALV, 140CID-DURATEC (L3-V3)
TRIBUTE	01-10	2.3LTS, L4 DOHC 16VALV, 140CID-DURATEC (L3-V3)

CONTINUA PAGINA 16

# MAZDA

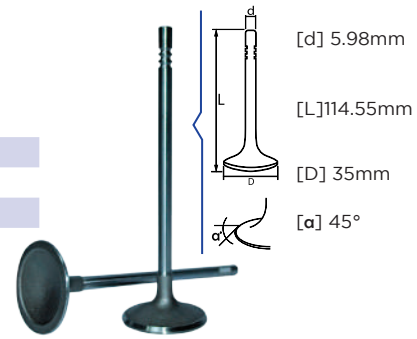
## H3978-AC

MODELO	AÑOS	MOTOR
B4000	01-08	4.0LTS, V6 SOHC 12VALV, 245CID- COLOGNE



## H3990-AC

MODELO	AÑOS	MOTOR
6	96-09	3.0LTS, V6 DOHC 24VALV, 182CID DURATEC
MPV	96-09	3.0LTS, V6 DOHC 24VALV, 182CID DURATEC
TRIBUTE	96-09	3.0LTS, V6 DOHC 24VALV, 182CID DURATEC



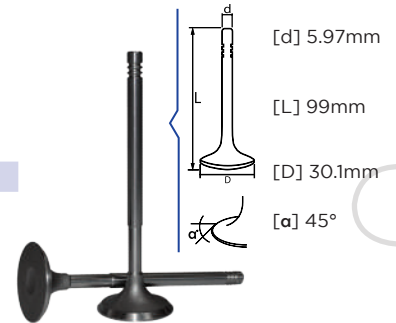
## H3978-AC

MODELO	AÑOS	MOTOR
B4000	01-08	4.0LTS, V6 SOHC 12VALV, 245CID- COLOGNE



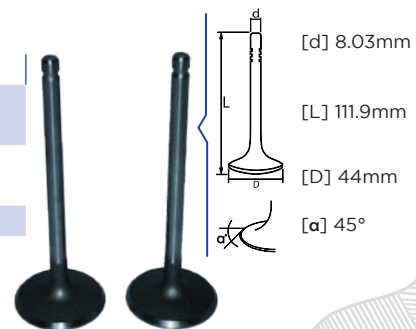
## H4344-AN

MODELO	AÑOS	MOTOR
2	12-16	1.6
3	12-16	1.6



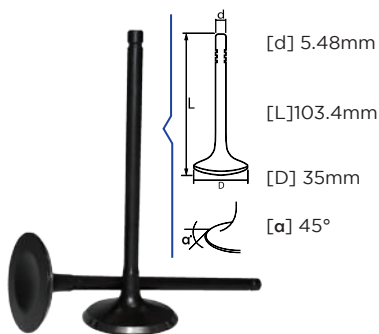
## H829-AN

MODELO	AÑOS	MOTOR
626	86-92	2.2LTS, L4 SOHC 8VALV, F2
	85-87	2.0LTS, L4 SOHC 8VALV, FE-FEH1
B2000	86-92	2.2LTS, L4 SOHC 8VALV, F2
	85-87	2.0LTS, L4 SOHC 8VALV, FE-FEH1
MONTA CARGAS	86-92	2.2LTS, L4 SOHC 8VALV, F2



## MERCURY

H3094-AC



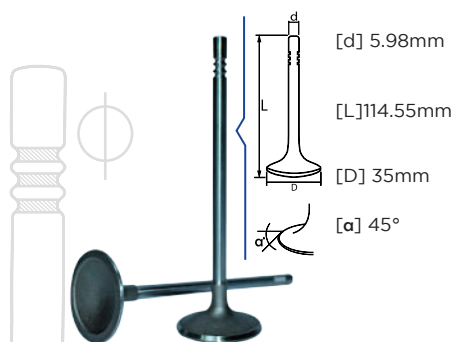
MODELO	AÑOS	MOTOR
MARINER	01-10	2.3LTS, L4 DOHC 16VALV, 140CID-DURATEC (L3-V3)
	09-12	2.5LTS, L4 DOHC 16VALV, DURATEC (MOTOR ALUMINIO)

PROXIMAMENTE

H3832-AC

MODELO	AÑOS	MOTOR
MOUNTAINEER	05-09	4.6LTS, V8 SOHC 24VALV, 281CID-TRITON

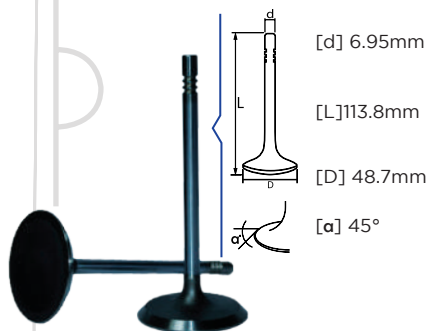
H3990-AC



MODELO	AÑOS	MOTOR
MARINER	01-10	3.0LTS, V6 DOHC 24VALV, 182CID DURATEC
MILAN	01-10	3.0LTS, V6 DOHC 24VALV, 182CID DURATEC
SABLE	01-10	3.0LTS, V6 DOHC 24VALV, 182CID DURATEC

## MITSUBISHI

H3704-AC



MODELO	AÑOS	MOTOR
RAIDER	06-07	MITSUBISHI 4.7LTS, V8 SOHC 16VALV, 287CID

H4160-A

MODELO	AÑOS	MOTOR
LANCER	03-07	2.4L 16V

PROXIMAMENTE

# NISSAN

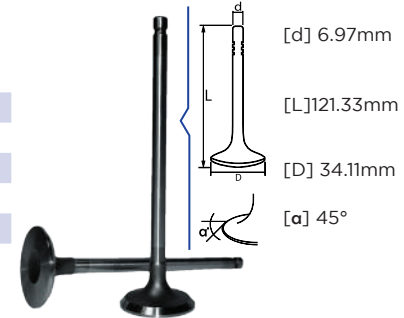
## H3352-A

MODELO	AÑOS	MOTOR
BLUEBIRD	81-94	1.8LTS, L4 OHV 8VALV, J18
DATSUN	81-94	1.8LTS, L4 OHV 8VALV, J18
ESTAQUITAS	81-94	1.8LTS, L4 OHV 8VALV, J18
ICHIVAN	81-94	1.8LTS, L4 OHV 8VALV, J18
SAKURA	81-94	1.8LTS, L4 OHV 8VALV, J18
SAMURAI	81-94	1.8LTS, L4 OHV 8VALV, J18



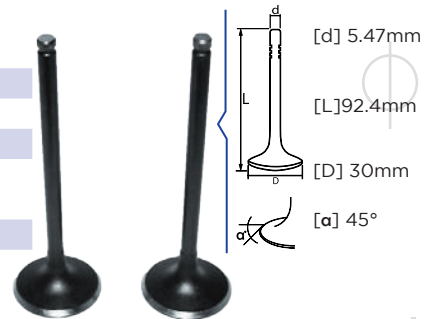
## H3358-A

MODELO	AÑOS	MOTOR
AXXESS	89-98	2.4LTS, L4 SOHC 12VALV, KA24E
D21	89-98	2.4LTS, L4 SOHC 12VALV, KA24E
ESTAQUITAS	89-98	2.4LTS, L4 SOHC 12VALV, KA24E
ICHIVAN	89-98	2.4LTS, L4 SOHC 12VALV, KA24E
PICKUP	89-98	2.4LTS, L4 SOHC 12VALV, KA24E
STANZA	89-98	2.4LTS, L4 SOHC 12VALV, KA24E



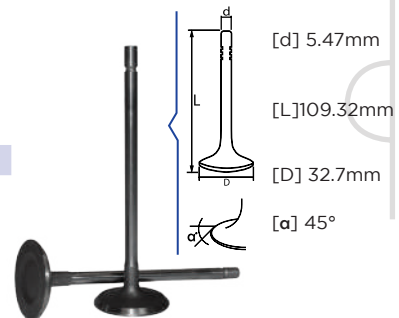
## H3454-AN

MODELO	AÑOS	MOTOR
200SX	93-13	1.6LTS, L4 DOHC 16VALV, GA16DE
ALMERA	00-06	1.8LTS, L4 DOHC 16VALV, QG18DE
LUCCINO	93-13	1.6LTS, L4 DOHC 16VALV, GA16DE
SENTRA	93-13	1.6LTS, L4 DOHC 16VALV, GA16DE
	00-06	1.8LTS, L4 DOHC 16VALV, QG18DE
TSBAME	93-13	1.6LTS, L4 DOHC 16VALV, GA16DE
TSURU	93-13	1.6LTS, L4 DOHC 16VALV, GA16DE



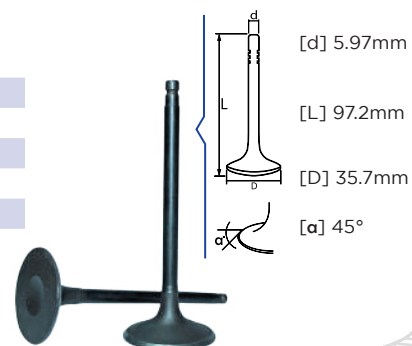
## H3598-A

MODELO	AÑOS	MOTOR
APRIO	01-10	1.6LTS, L4 DOHC 16VALV, K4M
PLATINA	01-10	1.6LTS, L4 DOHC 16VALV, K4M



## H4002-AN

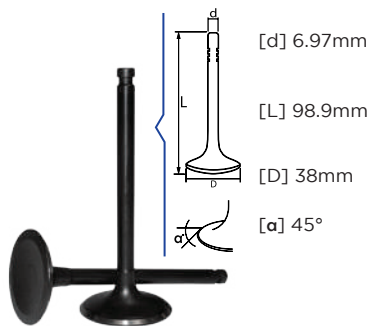
MODELO	AÑOS	MOTOR
ALTIMA	01-11	V, QR25DE
FRONTIER	01-11	2.5LTS, L4 DOHC 16VALV, QR25DE
ROGUE	01-11	2.5LTS, L4 DOHC 16VALV, QR25DE
SENTRA SE-R	01-11	2.5LTS, L4 DOHC 16VALV, QR25DE
URVAN	01-11	2.5LTS, L4 DOHC 16VALV, QR25DE
X-TRAIL	01-11	2.5LTS, L4 DOHC 16VALV, QR25DE



CONTINUA PAGINA 19

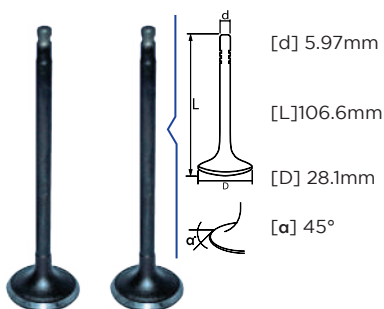
# NISSAN

## H4124-A



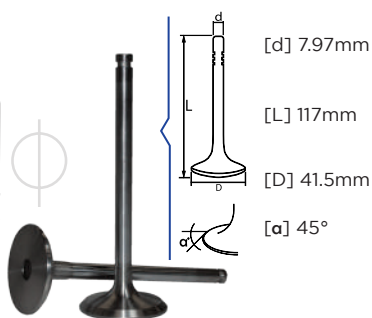
MODELO	AÑOS	MOTOR
MONTA CARGAS FORK LIFT	-	2.5LTS, L4 OHV 8VALV, K21A-K25A

## H4136-A



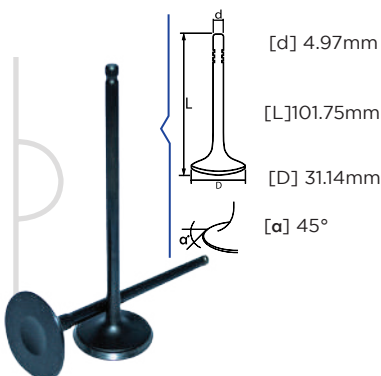
MODELO	AÑOS	MOTOR
CABSTAR	07-11	2.5LTS, L4 DOHC 16VALV, YD25DDTI DIESEL TURBO INTERCOOLER
D22	07-11	2.5LTS, L4 DOHC 16VALV, YD25DDTI DIESEL TURBO INTERCOOLER
ESTAQUITAS	07-11	2.5LTS, L4 DOHC 16VALV, YD25DDTI DIESEL TURBO INTERCOOLER
FRONTIER	07-11	2.5LTS, L4 DOHC 16VALV, YD25DDTI DIESEL TURBO INTERCOOLER
PICKUP	07-11	2.5LTS, L4 DOHC 16VALV, YD25DDTI DIESEL TURBO INTERCOOLER

## H4316-AN



MODELO	AÑOS	MOTOR
CABSTAR	-	L4, (2.5 LTS.), 8 VALVE, TD 25TI
D21	-	L4, (2.5 LTS.), 8 VALVE, TD 25TI
F22	-	L4, (2.5 LTS.), 8 VALVE, TD 25TI
PICK-UP	-	L4, (2.5 LTS.), 8 VALVE, TD 25TI
URVAN	-	L4, (2.5 LTS.), 8 VALVE, TD 25TI

## H4518-AN



MODELO	AÑOS	MOTOR
MARCH	-	1.6 16V HR16DE
NOTE	-	1.6 16V HR16DE
TIIDA	-	1.6 16V HR16DE

## H844-A

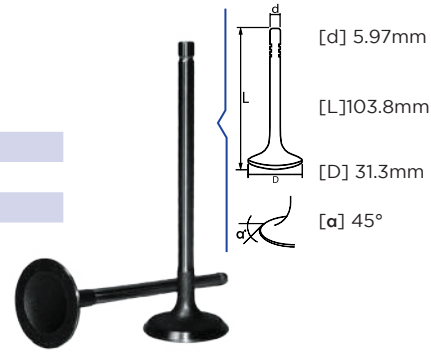


MODELO	AÑOS	MOTOR
200SX	81-88	2.2LTS, L4 SOHC 8VALV, Z22-Z22E
	86-89	2.0LTS, L4 SOHC 8VALV, Z20-ZZ20S-Z20E
510	86-89	2.0LTS, L4 SOHC 8VALV, Z20-ZZ20S-Z20E
720	81-88	2.2LTS, L4 SOHC 8VALV, Z22-Z22E
D21	83-88	2.4LTS, L4 SOHC 8VALV, Z24-Z24I
ESTAQUITAS	81-88	2.2LTS, L4 SOHC 8VALV, Z22-Z22E
PATHFINDER	83-88	2.4LTS, L4 SOHC 8VALV, Z24-Z24I
PICKUP	81-88	2.2LTS, L4 SOHC 8VALV, Z22-Z22E
PICKUP720	83-88	2.4LTS, L4 SOHC 8VALV, Z24-Z24I
STANZA	86-89	2.0LTS, L4 SOHC 8VALV, Z20-ZZ20S-Z20E
VAN	83-88	2.4LTS, L4 SOHC 8VALV, Z24-Z24I

# PEUGEOT

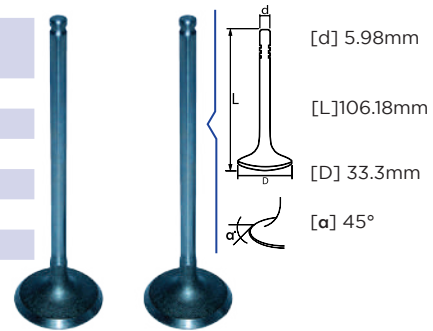
## H3616-A

MODELO	AÑOS	MOTOR
206	01-11	1.6LTS, L4 DOHC 16VALV, TU5JP4
207COMPACT	01-11	1.6LTS, L4 DOHC 16VALV, TU5JP4
GRAND RAID	01-11	1.6LTS, L4 DOHC 16VALV, TU5JP4
PARTNER	01-11	1.6LTS, L4 DOHC 16VALV, TU5JP4



## H3884-A

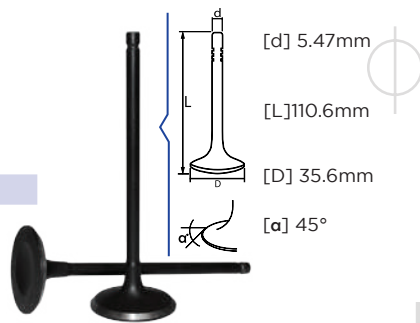
MODELO	AÑOS	MOTOR
307CC	02-05 06-10	2.0LTS, L4 DOHC 16VALV, EW10J4 (RFN)-EW10J4S (RFK) 2.0LTS, L4 DOHC 16VALV, EW10A VVT (RFJ)
307SEDAN	06-10	2.0LTS, L4 DOHC 16VALV, EW10A VVT (RFJ)
307XR	02-05	2.0LTS, L4 DOHC 16VALV, EW10J4 (RFN)-EW10J4S (RFK)
307XSI	06-10	2.0LTS, L4 DOHC 16VALV, EW10A VVT (RFJ)
406ST	02-05	2.0LTS, L4 DOHC 16VALV, EW10J4 (RFN)-EW10J4S (RFK)
XLINE-FELINE	06-10	2.0LTS, L4 DOHC 16VALV, EW10A VVT (RFJ)
XS	02-05	2.0LTS, L4 DOHC 16VALV, EW10J4 (RFN)-EW10J4S (RFK)
XT	02-05	2.0LTS, L4 DOHC 16VALV, EW10J4 (RFN)-EW10J4S (RFK)



# PONTIAC

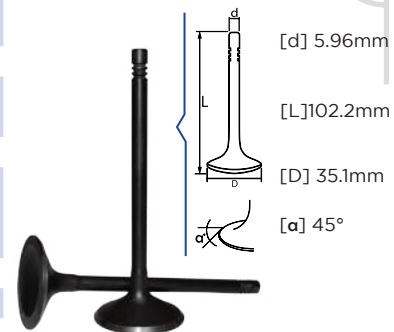
## H3794-AN

MODELO	AÑOS	MOTOR
G2	04-09	1.0LTS, L4 SOHC 8VALV, (MOTOR SUZUKI B10S1)

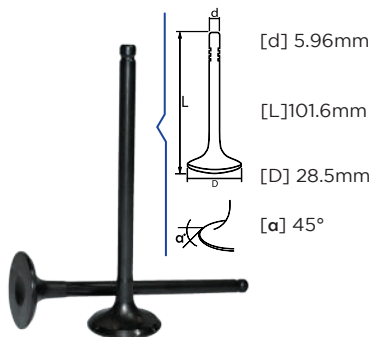


## H3806-AC

MODELO	AÑOS	MOTOR
G5	01-10	2.2LTS, L4 DOHC 16VALV, 134CID (MOTOR OPEL Z22SE)
	01-10 06-12	2.2LTS, L4 DOHC 16VALV, 134CID (MOTOR OPEL Z22SE)-ECOTEC L61 2.4LTS, L4 DOHC 16VALV, LE5-LE9 FLEX FUEL ECOTEC
G6	06-12	2.4LTS, L4 DOHC 16VALV, LE5-LE9 FLEX FUEL ECOTEC
	01-10 01-10	2.2LTS, L4 DOHC 16VALV, 134CID (MOTOR OPEL Z22SE) 2.2LTS, L4 DOHC 16VALV, 134CID (MOTOR OPEL Z22SE)-ECOTEC L61
ION-3	06-12	2.4LTS, L4 DOHC 16VALV, LE5-LE9 FLEX FUEL ECOTEC
	01-10	2.2LTS, L4 DOHC 16VALV, 134CID (MOTOR OPEL Z22SE)
PURSUIT	01-10	2.2LTS, L4 DOHC 16VALV, 134CID (MOTOR OPEL Z22SE)-ECOTEC L61
	06-12	2.4LTS, L4 DOHC 16VALV, LE5-LE9 FLEX FUEL ECOTEC
SKY	06-12	2.4LTS, L4 DOHC 16VALV, LE5-LE9 FLEX FUEL ECOTEC
SATURN AURA	06-12	2.4LTS, L4 DOHC 16VALV, LE5-LE9 FLEX FUEL ECOTEC
SOLSTICE	06-12	2.4LTS, L4 DOHC 16VALV, LE5-LE9 FLEX FUEL ECOTEC
SUNFIRE	01-10	2.2LTS, L4 DOHC 16VALV, 134CID (MOTOR OPEL Z22SE)
	01-10	2.2LTS, L4 DOHC 16VALV, 134CID (MOTOR OPEL Z22SE)-ECOTEC L61



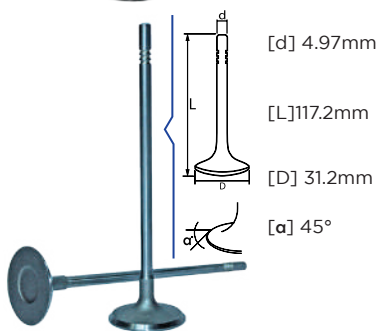
CONTINUA PAGINA 21



## PONTIAC

**H3882-AN**

MODELO	AÑOS	MOTOR
G3	04-09	1.6LTS, L4 DOHC 16VALV, TECH II

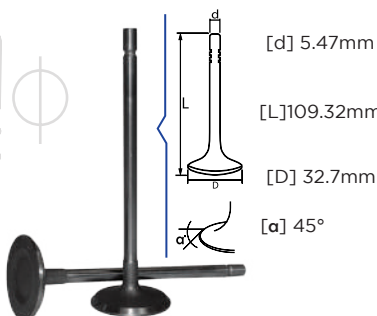


**H4326-AC**

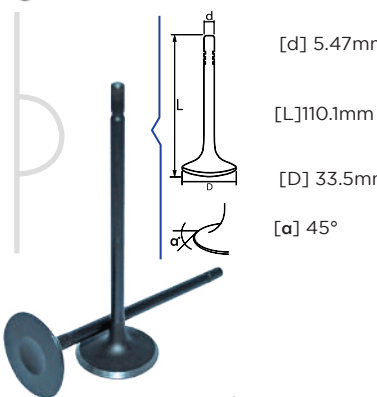
MODELO	AÑOS	MOTOR
G3	09-13	1.6LTS, L4 DOHC 16VALV, VVT-LDE-VCT-LXV

## RENAULT

**H3598-A**



MODELO	AÑOS	MOTOR
CLIO	01-12	1.6LTS, L4 DOHC 16VALV, K4M
DUSTER	01-12	1.6LTS, L4 DOHC 16VALV, K4M
KANGOO	01-12	1.6LTS, L4 DOHC 16VALV, K4M
LAGUNA	01-12	1.6LTS, L4 DOHC 16VALV, K4M
MAGANE	01-12	1.6LTS, L4 DOHC 16VALV, K4M
SANDERO	01-12	1.6LTS, L4 DOHC 16VALV, K4M
SCENIC	01-12	1.6LTS, L4 DOHC 16VALV, K4M



**H3864-A**

MODELO	AÑOS	MOTOR
CLIO SPORT	01-09	2.0LTS, L4 DOHC 16VALV, F4R (730-740-777)
LAGUNA	01-09	2.0LTS, L4 DOHC 16VALV, F4R (730-740-777)
MEGANE I-II	01-09	2.0LTS, L4 DOHC 16VALV, F4R (730-740-777)
SCENIC	01-09	2.0LTS, L4 DOHC 16VALV, F4R (730-740-777)



## SEAT

**H3486-A**

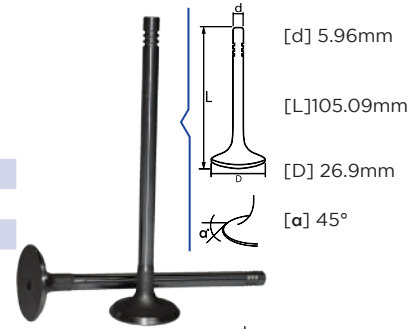
MODELO	AÑOS	MOTOR
CORDOBA	98-10	2.0LTS, L4 SOHC 8VALV
IBIZA	98-10	2.0LTS, L4 SOHC 8VALV
TOLEDO	98-10	2.0LTS, L4 SOHC 8VALV

CONTINUA PAGINA 22

# SEAT

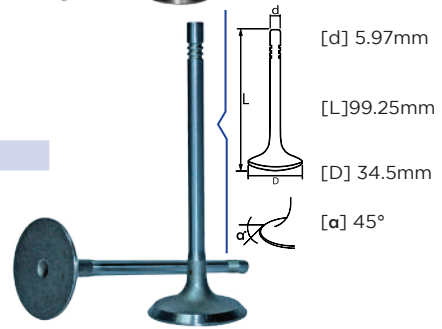
## H3488-AS

MODELO	AÑOS	MOTOR
ALHAMBRA	96-08	1.8LTS, L4 DOHC 20VALV, AEB, AMB, AMU, ATC, ATW, AWM, AWP, BEA TURBO
IBIZA	96-08	1.8LTS, L4 DOHC 20VALV, AEB, AMB, AMU, ATC, ATW, AWM, AWP, BEA TURBO
LEON	96-08	1.8LTS, L4 DOHC 20VALV, AEB, AMB, AMU, ATC, ATW, AWM, AWP, BEA TURBO
TOLEDO	96-08	1.8LTS, L4 DOHC 20VALV, AEB, AMB, AMU, ATC, ATW, AWM, AWP, BEA TURBO



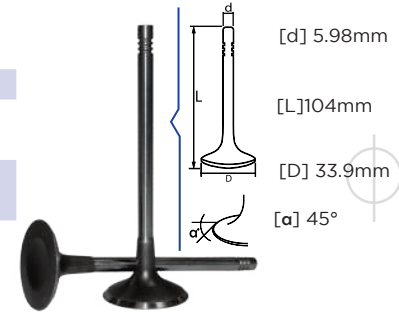
## H3886-A

MODELO	AÑOS	MOTOR
CORDOBA	03-11	1.6LTS, L4 SOHC 8VALV, ABU
IBIZA	03-11	1.6LTS, L4 SOHC 8VALV, ABU



## H4408-AX

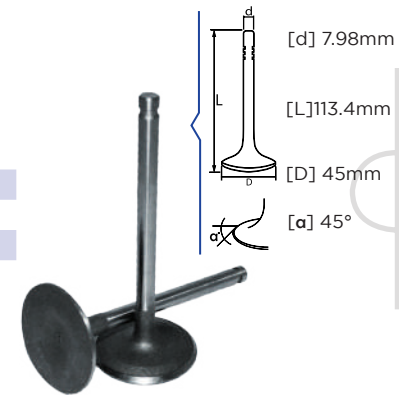
MODELO	AÑOS	MOTOR
ALHAMBRA	06-13	1.8LTS, L4 DOHC 16VALV, TURBO TFSI
ALTEA	06-13	1.8LTS, L4 DOHC 16VALV, TURBO TFSI
LEON	05-12	2.0LTS, L4 DOHC 16VALV, TURBO FSI
LEON	06-13	1.8LTS, L4 DOHC 16VALV, TURBO TFSI
LEON	05-12	2.0LTS, L4 DOHC 16VALV, TURBO FSI
TOLEDO	06-13	1.8LTS, L4 DOHC 16VALV, TURBO TFSI



# TOYOTA

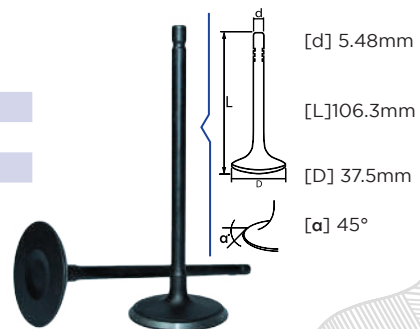
## H3231-AN

MODELO	AÑOS	MOTOR
4RUNNER	81-95	2.4LTS, L4 SOHC 8VALV, 22R, 22REC, 22RE
CELICA	81-95	2.4LTS, L4 SOHC 8VALV, 22R, 22REC, 22RE
COROLLA	81-95	2.4LTS, L4 SOHC 8VALV, 22R, 22REC, 22RE
PICKUP	81-95	2.4LTS, L4 SOHC 8VALV, 22R, 22REC, 22RE



## H4430-AN

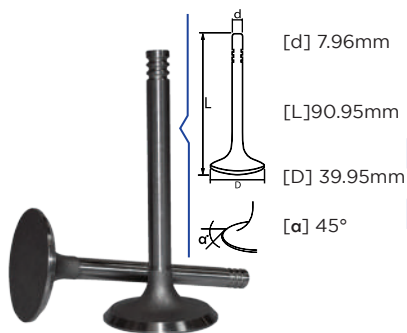
MODELO	AÑOS	MOTOR
4RUNNER	05-10	2.7LTS, L4 DOHC 16VALV, 2TRFE
HIACE	05-10	2.7LTS, L4 DOHC 16VALV, 2TRFE
HI-LUX	05-10	2.7LTS, L4 DOHC 16VALV, 2TRFE
TACOMA	05-10	2.7LTS, L4 DOHC 16VALV, 2TRFE





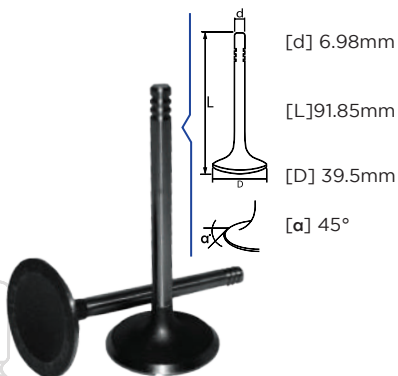
# VOLKSWAGEN

## H3310-A



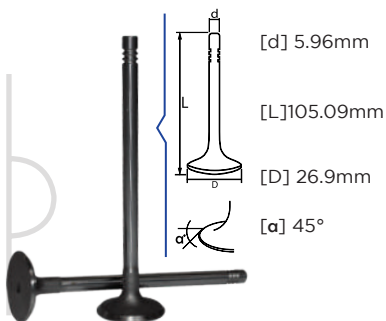
MODELO	AÑOS	MOTOR
CORSAR	84-88	1.8LTS, L4 SOHC 8VALV
GOLFA2	84-88	1.8LTS, L4 SOHC 8VALV
JETTA A2	84-88	1.8LTS, L4 SOHC 8VALV

## H3486-A



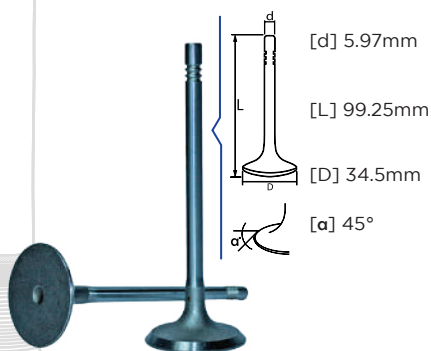
MODELO	AÑOS	MOTOR
CABRIO A3	93-02	2.0LTS, L4 SOHC 8VALV, ABA
CABRIO A4	98-10	2.0LTS, L4 SOHC 8VALV
CARABELA	92-95	1.8LTS, L4 SOHC 8VALV
COMBI	92-95	1.8LTS, L4 SOHC 8VALV
DERBY	92-95	1.8LTS, L4 SOHC 8VALV
GOLF	98-10	2.0LTS, L4 SOHC 8VALV
GOLF A3	92-95	1.8LTS, L4 SOHC 8VALV
GOLF A3	93-02	2.0LTS, L4 SOHC 8VALV, ABA
GOLF A4	98-10	2.0LTS, L4 SOHC 8VALV
GOLF GTI A3	93-02	2.0LTS, L4 SOHC 8VALV, ABA
GOLF GTI A4	98-10	2.0LTS, L4 SOHC 8VALV
JETTA A3	92-95	1.8LTS, L4 SOHC 8VALV
JETTA A3	93-02	2.0LTS, L4 SOHC 8VALV, ABA
JETTA A4	98-10	2.0LTS, L4 SOHC 8VALV
NEW BEETLE	98-10	2.0LTS, L4 SOHC 8VALV
PANEL	92-95	1.8LTS, L4 SOHC 8VALV
PASSAT	93-02	2.0LTS, L4 SOHC 8VALV, ABA
VAN	92-95	1.8LTS, L4 SOHC 8VALV

## H3488-AS



MODELO	AÑOS	MOTOR
BEETLE	96-08	1.8LTS, L4 DOHC 20VALV, AEB, AMB, AMU, ATC, ATW, AWM, AWP, BEA TURBO
GOLF GTI	96-08	1.8LTS, L4 DOHC 20VALV, AEB, AMB, AMU, ATC, ATW, AWM, AWP, BEA TURBO
JETTA	96-08	1.8LTS, L4 DOHC 20VALV, AEB, AMB, AMU, ATC, ATW, AWM, AWP, BEA TURBO
PASSAT	96-08	1.8LTS, L4 DOHC 20VALV, AEB, AMB, AMU, ATC, ATW, AWM, AWP, BEA TURBO
PASSAT	98-05	2.8LTS, V6 DOHC 30VALV, AHA, ATQ
SHARAN	96-08	1.8LTS, L4 DOHC 20VALV, AEB, AMB, AMU, ATC, ATW, AWM, AWP, BEA TURBO

## H3886-A



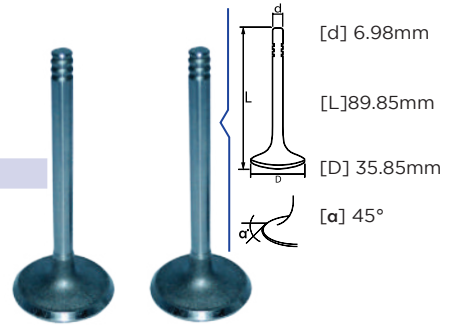
MODELO	AÑOS	MOTOR
CROSSFOX	03-11	1.6LTS, L4 SOHC 8VALV, ABU
GOL	03-11	1.6LTS, L4 SOHC 8VALV, ABU
LUPU	03-11	1.6LTS, L4 SOHC 8VALV, ABU
POLO	03-11	1.6LTS, L4 SOHC 8VALV, ABU
SAVEIRO	03-11	1.6LTS, L4 SOHC 8VALV, ABU
SPORTVAN	03-11	1.6LTS, L4 SOHC 8VALV, ABU

CONTINUA PAGINA 24

# VOLKSWAGEN

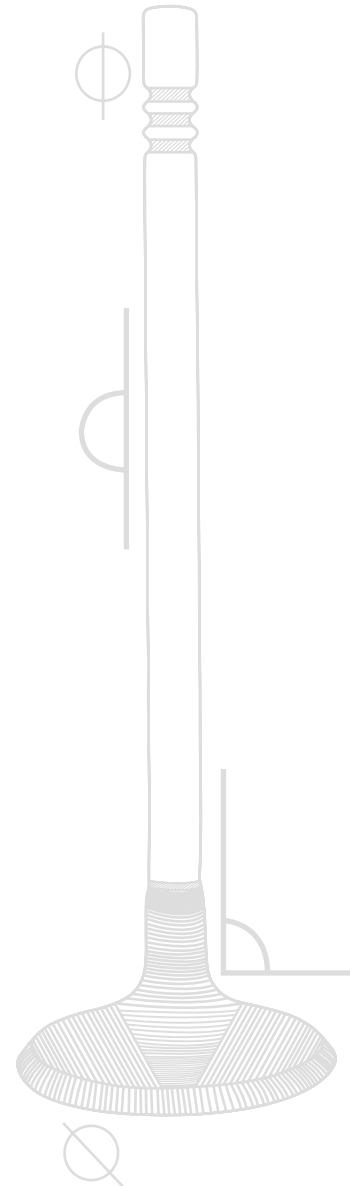
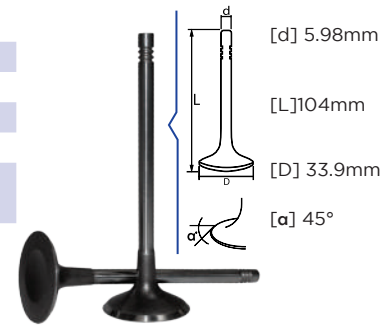
## H4082-A

MODELO	AÑOS	MOTOR
EURO VAN	05-09	1.9LTS, L4 SOHC 8VALV, AXB TURBO DIESEL (TDI)



## H4408-AX

MODELO	AÑOS	MOTOR
BORA GLI	05-12	2.0LTS, L4 DOHC 16VALV, TURBO FSI
EOS	05-12	2.0LTS, L4 DOHC 16VALV, TURBO FSI
GOLF A4	06-13	1.8LTS, L4 DOHC 16VALV, TURBO TFSI
GOLF GTI	05-12	2.0LTS, L4 DOHC 16VALV, TURBO FSI
PASSAT CC	05-12	1.8LTS, L4 DOHC 16VALV, TURBO TFSI
PASSAT CC	05-12	2.0LTS, L4 DOHC 16VALV, TURBO FSI
TIGUAN	05-12	2.0LTS, L4 DOHC 16VALV, TURBO FSI



**ESCAPE**

# ACURA

## H4163-EN

MODELO	AÑOS	MOTOR
CL	97-00	3.0Lts, V6 Sohc 24Valv, J30A1
	98-02	2.3Lts, L4 Sohc 16Valv, F23A1-F23A4-F23A7

## H4265-EBN

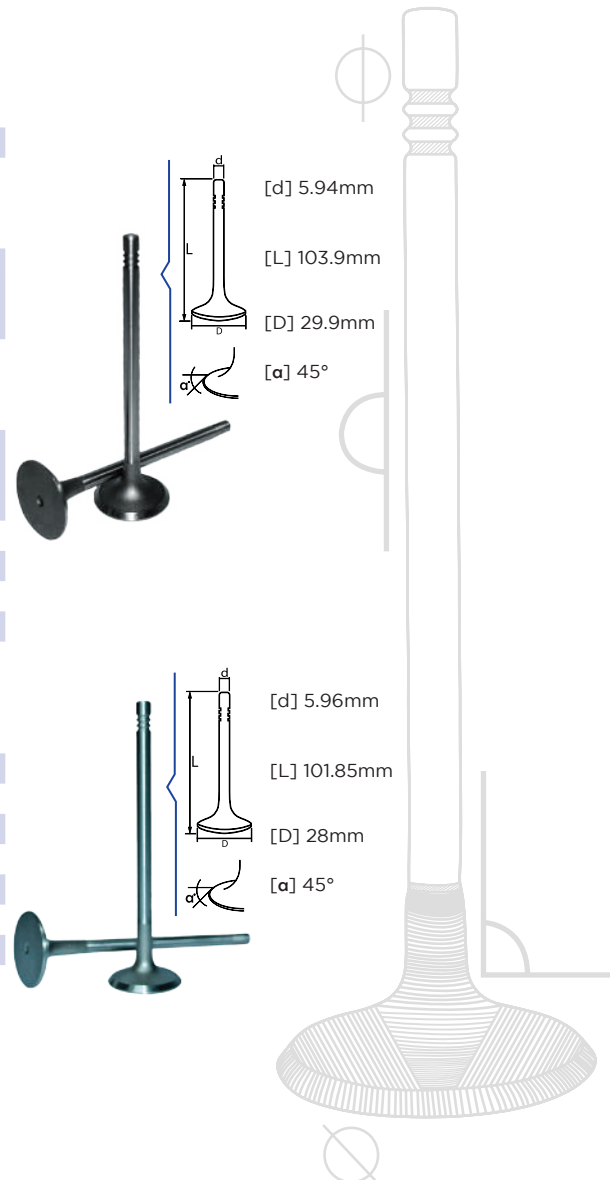
MODELO	AÑOS	MOTOR
CL	98-98	L4,2.3L(2254cc)SOHC16Vál. F23A1,F23A4,F23A7
	97-98	V6,3.0L(2997cc)SOHC24Vál.J30A1



# AUDI

## H3489-EC

MODELO	AÑOS	MOTOR
A3	96-08	1.8LTS, L4 DOHC 20VALV, AEB, AMB, AMU, ATC, ATW, AWM, AWP, BEA TURBO
	96-08	1.8LTS, L4 DOHC 20VALV, AEB, AMB, AMU, ATC, ATW, AWM, AWP, BEA TURBO
A4	98-05	2.8LTS, V6 DOHC 30VALV, AHA, ATQ
	02-06	3.0LTS, V6 DOHC 30VALV, BGN
A4 QUATTRO	96-08	1.8LTS, L4 DOHC 20VALV, AEB, AMB, AMU, ATC, ATW, AWM, AWP, BEA TURBO
	98-05	2.8LTS, V6 DOHC 30VALV, AHA, ATQ
	02-06	3.0LTS, V6 DOHC 30VALV, BGN
A6	00-05	2.7LTS, V6 DOHC 30VALV, APB, BEL TURBO
	98-05	2.8LTS, V6 DOHC 30VALV, AHA, ATQ
	02-06	3.0LTS, V6 DOHC 30VALV, BGN
A6 QUATTRO	00-05	2.7LTS, V6 DOHC 30VALV, APB, BEL TURBO
	98-05	2.8LTS, V6 DOHC 30VALV, AHA, ATQ
ALLROAD	02-06	3.0LTS, V6 DOHC 30VALV, BGN
	00-05	2.7LTS, V6 DOHC 30VALV, APB, BEL TURBO
S3 QUATTRO	96-08	1.8LTS, L4 DOHC 20VALV, AEB, AMB, AMU, ATC, ATW, AWM, AWP, BEA TURBO
S4	00-05	2.7LTS, V6 DOHC 30VALV, APB, BEL TURBO
TT QUATTRO	96-08	1.8LTS, L4 DOHC 20VALV, AEB, AMB, AMU, ATC, ATW, AWM, AWP, BEA TURBO



## H4221-ECB

MODELO	AÑOS	MOTOR
A3	06-13	1.8LTS, L4 DOHC 16VALV, TURBO TFSI
A3-A4	05-12	2.0LTS, L4 DOHC 16VALV, TURBO FSI
A4	06-13	1.8LTS, L4 DOHC 16VALV, TURBO TFSI
A5	06-13	1.8LTS, L4 DOHC 16VALV, TURBO TFSI
A6	05-12	2.0LTS, L4 DOHC 16VALV, TURBO FSI
S4	05-12	2.0LTS, L4 DOHC 16VALV, TURBO FSI
TT	05-12	2.0LTS, L4 DOHC 16VALV, TURBO FSI

## CADILLAC

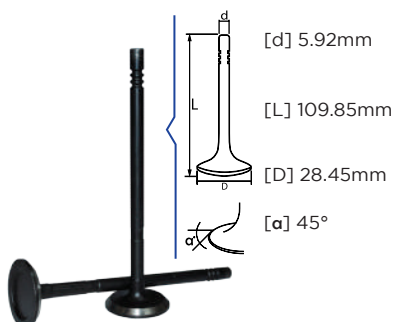
H23141-EC



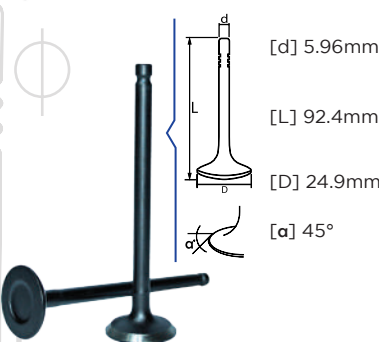
MODELO	AÑOS	MOTOR
CTS	03-05	3.2LTS, V6 DOHC 24VALV, 197CID

## CHRYSLER

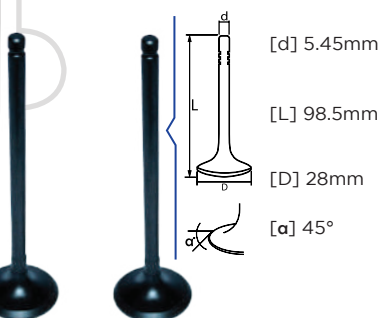
H3835-ECB



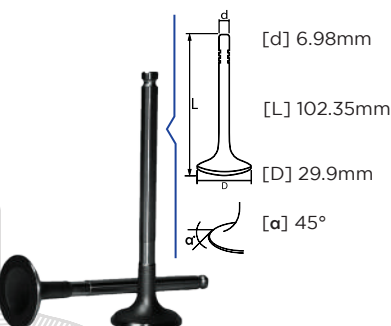
MODELO	AÑOS	MOTOR
CARAVAN	02-09	2.4LTS, L4 DOHC 16VALV, 148CID EDZ (INCLUYE TURBO)
NEON SRT	01-09	2.4LTS, L4 DOHC 16VALV, 148CID EDV-EDT (G TURBO)
PT CRUISER	02-09	2.4LTS, L4 DOHC 16VALV, 148CID EDZ (INCLUYE TURBO)
PT CRUISER R/T	01-09	2.4LTS, L4 DOHC 16VALV, 148CID EDV-EDT (G TURBO)
SEBRING	02-09	2.4LTS, L4 DOHC 16VALV, 148CID EDZ (INCLUYE TURBO)
STRATUS	02-09	2.4LTS, L4 DOHC 16VALV, 148CID EDZ (INCLUYE TURBO)
STRATUS R-T	01-09	2.4LTS, L4 DOHC 16VALV, 148CID EDV-EDT (G TURBO)
VOYAGER	02-09	2.4LTS, L4 DOHC 16VALV, 148CID EDZ (INCLUYE TURBO)



MODELO	AÑOS	MOTOR
ATTITUDE	01-09	1.6LTS, L4 DOHC 16VALV, G4ED ALPHA II
VERNA	01-09	1.6LTS, L4 DOHC 16VALV, G4ED ALPHA II



MODELO	AÑOS	MOTOR
I10	11-13	1.1L, L4 SHC 12V



MODELO	AÑOS	MOTOR
PALIO ADVENTURE	04-05	1.6LTS, L4 DOHC 16VALV, 182B6000
PALIO HATCHBACK	04-05	1.6LTS, L4 DOHC 16VALV, 182B6000
PALIO SEDAN	04-05	1.6LTS, L4 DOHC 16VALV, 182B6000
STILO	04-05	1.6LTS, L4 DOHC 16VALV, 182B6000

## FIAT

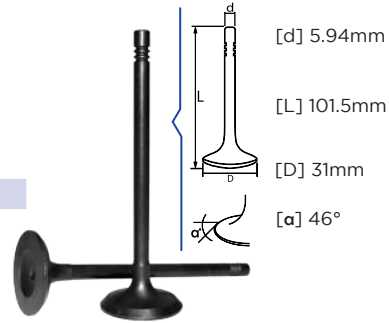
H3515-EC

CONTINUA PAGINA 28

# FIAT

## H3913-ECB

MODELO	AÑOS	MOTOR
PALIO ADVENTURE	06-12	1.8LTS, L4 SOHC 8VALV. (MOTOR OPEL C18NZ)
STRADA	06-12	1.8LTS, L4 SOHC 8VALV. (MOTOR OPEL C18NZ)



## H4113-ECB

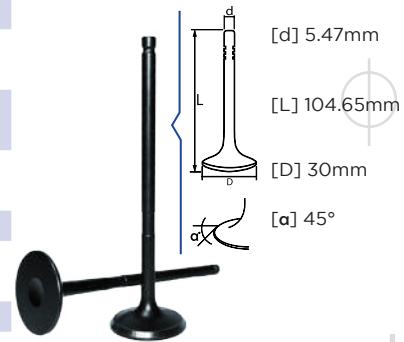
MODELO	AÑOS	MOTOR
DUCATO	-	L4.2.3L(2287CC)DOHC16VÁL.F1AEJTD,

PROXIMAMENTE

# FORD

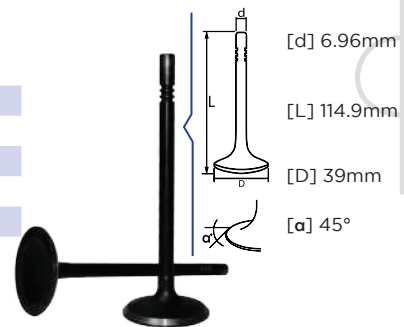
## H3095-EC

MODELO	AÑOS	MOTOR
ECOSPORT	01-10	2.0LTS, L4 DOHC 16VALV. 121CID DURATEC
ESCAPE	01-10	2.3LTS, L4 DOHC 16VALV, 140CID-DURATEC (L3-V3)
	09-12	2.5LTS, L4 DOHC 16VALV, DURATEC (MOTOR ALUMINIO)
FOCUS	01-10	2.0LTS, L4 DOHC 16VALV, 121CID DURATEC
	01-10	2.3LTS, L4 DOHC 16VALV, 140CID-DURATEC (L3-V3)
FUSION	01-10	2.3LTS, L4 DOHC 16VALV, 140CID-DURATEC (L3-V3)
	09-12	2.5LTS, L4 DOHC 16VALV, DURATEC (MOTOR ALUMINIO)
MERCURY	09-12	2.5LTS, L4 DOHC 16VALV, DURATEC (MOTOR ALUMINIO)
MILAN	01-10	2.3LTS, L4 DOHC 16VALV, 140CID-DURATEC (L3-V3)
	09-12	2.5LTS, L4 DOHC 16VALV, DURATEC (MOTOR ALUMINIO)
MONDEO	01-10	2.0LTS, L4 DOHC 16VALV, 121CID DURATEC
RANGER	01-10	2.3LTS, L4 DOHC 16VALV, 140CID-DURATEC (L3-V3)



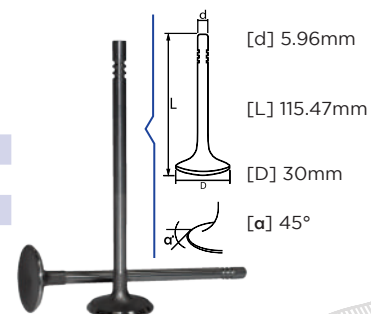
## H3979-ECB

MODELO	AÑOS	MOTOR
EXPLORER	97-10	4.0LTS, V6 SOHC 12VALV, 245CID- COLOGNE
EXPLORER SPORTRAC	97-10	4.0LTS, V6 SOHC 12VALV, 245CID- COLOGNE
MOUNTAINEER	97-10	4.0LTS, V6 SOHC 12VALV, 245CID- COLOGNE
MUSTANG	97-10	4.0LTS, V6 SOHC 12VALV, 245CID- COLOGNE
RANGER	97-10	4.0LTS, V6 SOHC 12VALV, 245CID- COLOGNE



## H3991-ECB

MODELO	AÑOS	MOTOR
ESCAPE	01-10	3.0LTS, V6 DOHC 24VALV, 182CID DURATEC
FIVEHUNDRED	01-10	3.0LTS, V6 DOHC 24VALV, 182CID DURATEC
FUSION	01-10	3.0LTS, V6 DOHC 24VALV, 182CID DURATEC



CONTINUA PAGINA 29

# FORD

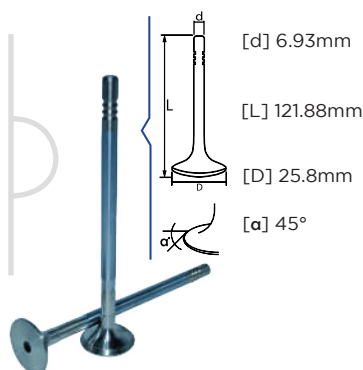
## H3539-ECB

MODELO	AÑOS	MOTOR
COBRA	99-10	4.6LTS, V8 SOHC 16VALV, 281CID-TRITON WINDOSR-ROMERO
CROWN VICTORIA	99-10	4.6LTS, V8 SOHC 16VALV, 281CID-TRITON WINDOSR-ROMERO
E150	99-10	5.4LTS, V8 SOHC 16VALV, 330CID-POWER IMPROVED
E150 ECONOLINE	99-10	4.6LTS, V8 SOHC 16VALV, 281CID-TRITON WINDOSR-ROMERO
E250	99-10	5.4LTS, V8 SOHC 16VALV, 330CID-POWER IMPROVED
E250 ECONOLINE	99-10	4.6LTS, V8 SOHC 16VALV, 281CID-TRITON WINDOSR-ROMERO
E350	99-10	5.4LTS, V8 SOHC 16VALV, 330CID-POWER IMPROVED
E350 CLUB WAGON	00-10	6.8LTS, V10 SOHC 20VALV, 415CID-TRITON POWER IMPROVED
E350 ECONOLINE	99-10	5.4LTS, V8 SOHC 16VALV, 330CID-POWER IMPROVED
E350-E450-E550	00-10	6.8LTS, V10 SOHC 20VALV, 415CID-TRITON POWER IMPROVED
E450 ECONOLINE	99-10	5.4LTS, V8 SOHC 16VALV, 330CID-POWER IMPROVED
E450 SUPER DUTY	99-10	5.4LTS, V8 SOHC 16VALV, 330CID-POWER IMPROVED
E550 ECONOLINE	00-10	6.8LTS, V10 SOHC 20VALV, 415CID-TRITON POWER IMPROVED
ECONOLINE	00-10	6.8LTS, V10 SOHC 20VALV, 415CID-TRITON POWER IMPROVED
EXCURSION	99-10	5.4LTS, V8 SOHC 16VALV, 330CID-POWER IMPROVED
EXCURSION	00-10	6.8LTS, V10 SOHC 20VALV, 415CID-TRITON POWER IMPROVED
EXPEDITION	99-10	4.6LTS, V8 SOHC 16VALV, 281CID-TRITON WINDOSR-ROMERO
EXPEDITION	99-10	5.4LTS, V8 SOHC 16VALV, 330CID-POWER IMPROVED
F150	99-10	4.6LTS, V8 SOHC 16VALV, 281CID-TRITON WINDOSR-ROMERO
F150	99-10	5.4LTS, V8 SOHC 16VALV, 330CID-POWER IMPROVED
F250	99-10	4.6LTS, V8 SOHC 16VALV, 281CID-TRITON WINDOSR-ROMERO
F250	99-10	5.4LTS, V8 SOHC 16VALV, 330CID-POWER IMPROVED
F350 SUPER DUTY	99-10	5.4LTS, V8 SOHC 16VALV, 330CID-POWER IMPROVED
GRAND MARQUIS	99-10	4.6LTS, V8 SOHC 16VALV, 281CID-TRITON WINDOSR-ROMERO
MUSTANG GT	99-10	4.6LTS, V8 SOHC 16VALV, 281CID-TRITON WINDOSR-ROMERO
SUPER DUTY F250	00-10	6.8LTS, V10 SOHC 20VALV, 415CID-TRITON POWER IMPROVED
SUPER DUTY F350	00-10	6.8LTS, V10 SOHC 20VALV, 415CID-TRITON POWER IMPROVED
SUPER DUTY F450	00-10	6.8LTS, V10 SOHC 20VALV, 415CID-TRITON POWER IMPROVED
SUPER DUTY F550	00-10	6.8LTS, V10 SOHC 20VALV, 415CID-TRITON POWER IMPROVED
THUNDERBIRD	99-10	4.6LTS, V8 SOHC 16VALV, 281CID-TRITON WINDOSR-ROMERO



## H4293-ECP

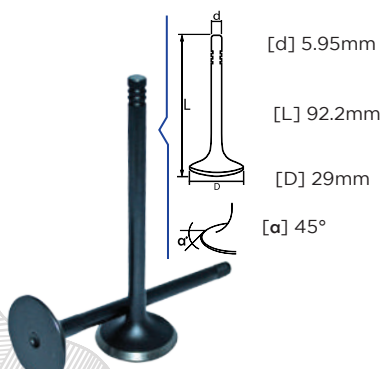
MODELO	AÑOS	MOTOR
TRANSIT	07-11	2.2LTS, L4 DOHC 16VALV, DURATORQ ZSD-422 TURBO DIESEL
TRANSIT VAN	07-11	2.2LTS, L4 DOHC 16VALV, DURATORQ ZSD-422 TURBO DIESEL



# GENERAL MOTORS

## H23141-EC

MODELO	AÑOS	MOTOR
ASTRA	04-08	2.4LTS, L4 DOHC 16VALV, (MOTOR OPEL Z24XE)
OPTRA	04-11	2.0LTS, L4 DOHC 16VALV, (MOTOR OPEL X20SED)
VECTRA	03-05	3.2LTS, V6 DOHC 24VALV, 197CID

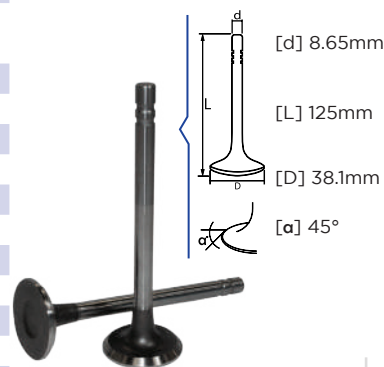


CONTINUA PAGINA 30

# GENERAL MOTORS

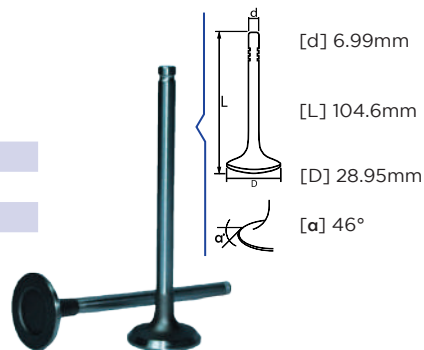
## H1138-E

MODELO	AÑOS	MOTOR
2500	86-09	5.7LTS V8 OHV 16VALV 350CID VORTEC
400SS	71-96	5.7LTS V8 OHV 16VALV 350CID (CARBURADO)
BLAZER 4X4	86-09	5.7LTS V8 OHV 16VALV 350CID VORTEC
C2500	71-96	5.7LTS V8 OHV 16VALV 350CID (CARBURADO)
C3500	71-96	5.7LTS V8 OHV 16VALV 350CID (CARBURADO)
	86-09	5.7LTS V8 OHV 16VALV 350CID VORTEC
CAMIONETAS	94-98	4.1LTS, L6 OHV 12VALV, 250CID, (TBI)
CAMIONETAS Y CAMIONES	66-90	4.1LTS L6 OHV 12VALV 250CID (CARBURADO USA)
CAPRICE	71-96	5.7LTS V8 OHV 16VALV 350CID (CARBURADO)
CHEVELLE MALIBU	67-89	4.1LTS, L6 OHV 12VALV, 250CID (CARBURADO)
	67-89	4.1LTS, L6 OHV 12VALV, 250CID (CARBURADO)
CHEVY NOVA	71-96	5.7LTS V8 OHV 16VALV 350CID (CARBURADO)
CHEYENNE	71-96	5.7LTS V8 OHV 16VALV 350CID (CARBURADO)
CHEYENNE TBI	86-09	5.7LTS V8 OHV 16VALV 350CID VORTEC
CONCOURS	71-96	5.7LTS V8 OHV 16VALV 350CID (CARBURADO)
LANDOU	67-89	4.1LTS, L6 OHV 12VALV, 250CID (CARBURADO)
MICRO TBI	86-09	5.7LTS V8 OHV 16VALV 350CID VORTEC
MICROBUS	71-96	5.7LTS V8 OHV 16VALV 350CID (CARBURADO)
MONTE CARLO	71-96	5.7LTS V8 OHV 16VALV 350CID (CARBURADO)
P30	71-96	5.7LTS V8 OHV 16VALV 350CID (CARBURADO)
P30 CAMIONETAS Y CAMIONES	53-91	4.8LTS L6 OHV 12VALV 292CID (CARBURADO)
P300	86-09	5.7LTS V8 OHV 16VALV 350CID VORTEC
PICKUP	86-09	5.7LTS V8 OHV 16VALV 350CID VORTEC
RALLY	71-96	5.7LTS V8 OHV 16VALV 350CID (CARBURADO)
SERIES C10	53-91	4.8LTS L6 OHV 12VALV 292CID (CARBURADO)
SERIES C15	53-91	4.8LTS L6 OHV 12VALV 292CID (CARBURADO)
SERIES C20	53-91	4.8LTS L6 OHV 12VALV 292CID (CARBURADO)
SERIES C30	53-91	4.8LTS L6 OHV 12VALV 292CID (CARBURADO)
SERIES C35	53-91	4.8LTS L6 OHV 12VALV 292CID (CARBURADO)
SERIES G20	53-91	4.8LTS L6 OHV 12VALV 292CID (CARBURADO)
SERIES G30	53-91	4.8LTS L6 OHV 12VALV 292CID (CARBURADO)
SERIES K10	53-91	4.8LTS L6 OHV 12VALV 292CID (CARBURADO)
SERIES K20	53-91	4.8LTS L6 OHV 12VALV 292CID (CARBURADO)
SERIES K30	53-91	4.8LTS L6 OHV 12VALV 292CID (CARBURADO)
SERIES P20	53-91	4.8LTS L6 OHV 12VALV 292CID (CARBURADO)
SERIESP10	53-91	4.8LTS L6 OHV 12VALV 292CID (CARBURADO)
SILVERADO	86-09	5.7LTS V8 OHV 16VALV 350CID VORTEC
	71-96	5.7LTS V8 OHV 16VALV 350CID (CARBURADO)
SUBURBAN	86-09	5.7LTS V8 OHV 16VALV 350CID VORTEC



## H3137-ECB

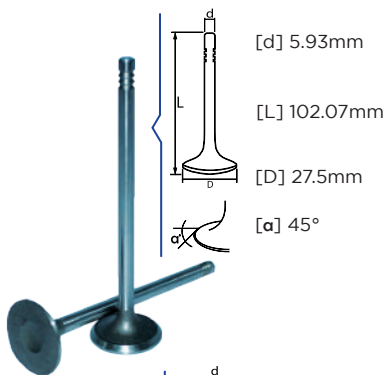
MODELO	AÑOS	MOTOR
CHEVY JOY	94-03	1.4LTS, L4 SOHC 8VALV, (MOTOR OPEL C14NZ)
CHEVY POP	94-03	1.4LTS, L4 SOHC 8VALV, (MOTOR OPEL C14NZ)
CHEVY SWING	94-03	1.4LTS, L4 SOHC 8VALV, (MOTOR OPEL C14NZ)



CONTINUA PAGINA 31

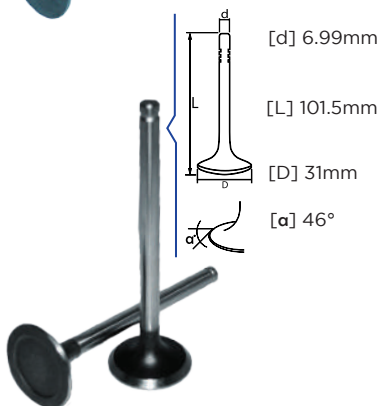


# GENERAL MOTORS



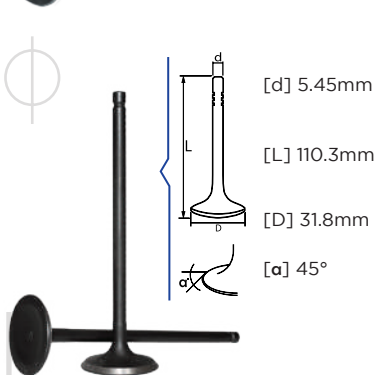
## H3139-EC

MODELO	AÑOS	MOTOR
CORSA HATCHBACK	02-05	1.4LTS, L4 DOHC 16VALV. (MOTOR OPEL X14XE-Z14XE)



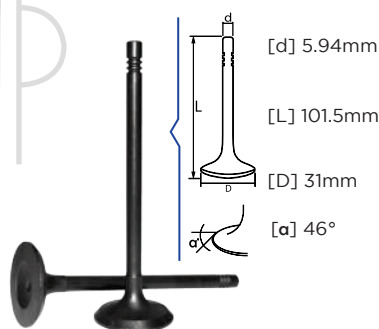
## H3147-ECB

MODELO	AÑOS	MOTOR
CHEVY C2	96-09	1.6LTS, L4 SOHC 8VALV. (MOTOR OPEL C16N2-C16NE-Y16NE)
CHEVY CONFORT	96-09	1.6LTS, L4 SOHC 8VALV. (MOTOR OPEL C16N2-C16NE-Y16NE)
CHEVY JOY	96-09	1.6LTS, L4 SOHC 8VALV. (MOTOR OPEL C16N2-C16NE-Y16NE)
CHEVY MONZA	96-09	1.6LTS, L4 SOHC 8VALV. (MOTOR OPEL C16N2-C16NE-Y16NE)
CHEVY PICKUP	96-09	1.6LTS, L4 SOHC 8VALV. (MOTOR OPEL C16N2-C16NE-Y16NE)
CHEVY POP	96-09	1.6LTS, L4 SOHC 8VALV. (MOTOR OPEL C16N2-C16NE-Y16NE)
CHEVY STATION WAGON	96-09	1.6LTS, L4 SOHC 8VALV. (MOTOR OPEL C16N2-C16NE-Y16NE)
CHEVY SWING	96-09	1.6LTS, L4 SOHC 8VALV. (MOTOR OPEL C16N2-C16NE-Y16NE)



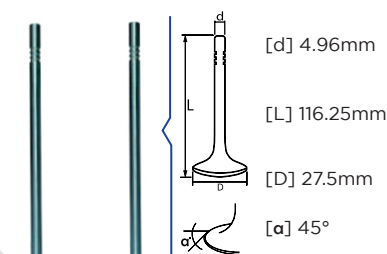
## H3795-EN

MODELO	AÑOS	MOTOR
MATIZ	04-09	1.0LTS, L4 SOHC 8VALV. (MOTOR SUZUKI B10S1)



## H3913-ECB

MODELO	AÑOS	MOTOR
CORSA	06-10	1.8LTS, L4 SOHC 8VALV. (MOTOR OPEL C18NZ)
MERIVA	06-10	1.8LTS, L4 SOHC 8VALV. (MOTOR OPEL C18NZ)
TORNADO	06-10	1.8LTS, L4 SOHC 8VALV. (MOTOR OPEL C18NZ)



## H4327-EC

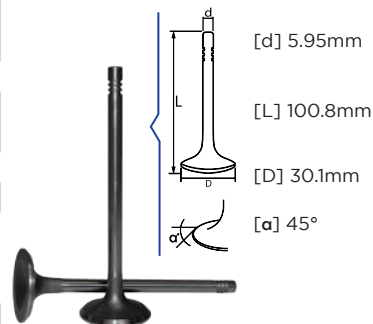
MODELO	AÑOS	MOTOR
AVEO	09-13	1.6LTS, L4 DOHC 16VALV. VVT-LDE-VCT-LXV
SONIC	09-13	1.6LTS, L4 DOHC 16VALV. VVT-LDE-VCT-LXV

CONTINUA PAGINA 32

# GENERAL MOTORS

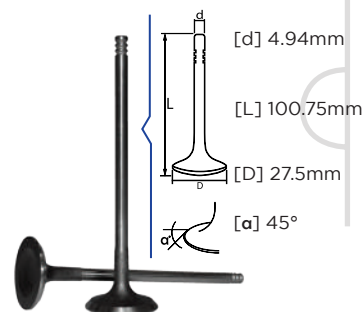
## H3807-E

MODELO	AÑOS	MOTOR
ASTRA	01-10	2.2LTS, L4 DOHC 16VALV, 134CID (MOTOR OPEL Z22SE)
	01-10	2.2LTS, L4 DOHC 16VALV, 134CID (MOTOR OPEL Z22SE)-ECOTEC L61
CAPTIVA	06-12	2.4LTS, L4 DOHC 16VALV, LE5-LE9 FLEX FUEL ECOTEC
CAVALIER	01-10	2.2LTS, L4 DOHC 16VALV, 134CID (MOTOR OPEL Z22SE)
	01-10	2.2LTS, L4 DOHC 16VALV, 134CID (MOTOR OPEL Z22SE)-ECOTEC L61
CLASSIC	01-10	2.2LTS, L4 DOHC 16VALV, 134CID (MOTOR OPEL Z22SE)
	01-10	2.2LTS, L4 DOHC 16VALV, 134CID (MOTOR OPEL Z22SE)-ECOTEC L61
COBALT	01-10	2.2LTS, L4 DOHC 16VALV, 134CID (MOTOR OPEL Z22SE)
	06-12	2.4LTS, L4 DOHC 16VALV, LE5-LE9 FLEX FUEL ECOTEC
ECOTEC L61	01-10	2.2LTS, L4 DOHC 16VALV, 134CID (MOTOR OPEL Z22SE)
G5	01-10	2.2LTS, L4 DOHC 16VALV, 134CID (MOTOR OPEL Z22SE)-ECOTEC L61
	06-12	2.4LTS, L4 DOHC 16VALV, LE5-LE9 FLEX FUEL ECOTEC
G6	06-12	2.4LTS, L4 DOHC 16VALV, LE5-LE9 FLEX FUEL ECOTEC
	06-12	2.4LTS, L4 DOHC 16VALV, LE5-LE9 FLEX FUEL ECOTEC
GRAND AM	01-10	2.2LTS, L4 DOHC 16VALV, 134CID (MOTOR OPEL Z22SE)-ECOTEC L61
	01-10	2.2LTS, L4 DOHC 16VALV, 134CID (MOTOR OPEL Z22SE)
HHR	01-10	2.2LTS, L4 DOHC 16VALV, 134CID (MOTOR OPEL Z22SE)-ECOTEC L61
	06-12	2.4LTS, L4 DOHC 16VALV, LE5-LE9 FLEX FUEL ECOTEC
ION-3	06-12	2.4LTS, L4 DOHC 16VALV, LE5-LE9 FLEX FUEL ECOTEC
	01-10	2.2LTS, L4 DOHC 16VALV, 134CID (MOTOR OPEL Z22SE)
MALIBU	01-10	2.2LTS, L4 DOHC 16VALV, 134CID (MOTOR OPEL Z22SE)-ECOTEC L61
	06-12	2.4LTS, L4 DOHC 16VALV, LE5-LE9 FLEX FUEL ECOTEC
PURSUIT	01-10	2.2LTS, L4 DOHC 16VALV, 134CID (MOTOR OPEL Z22SE)-ECOTEC L61
	06-12	2.4LTS, L4 DOHC 16VALV, LE5-LE9 FLEX FUEL ECOTEC
SKY	06-12	2.4LTS, L4 DOHC 16VALV, LE5-LE9 FLEX FUEL ECOTEC
SOLSTICE	06-12	2.4LTS, L4 DOHC 16VALV, LE5-LE9 FLEX FUEL ECOTEC
SUNFIRE	01-10	2.2LTS, L4 DOHC 16VALV, 134CID (MOTOR OPEL Z22SE)-ECOTEC L61
VECTRA	01-10	2.2LTS, L4 DOHC 16VALV, 134CID (MOTOR OPEL Z22SE)
	01-10	2.2LTS, L4 DOHC 16VALV, 134CID (MOTOR OPEL Z22SE)-ECOTEC L61
ZAFIRA	01-10	2.2LTS, L4 DOHC 16VALV, 134CID (MOTOR OPEL Z22SE)
	01-10	2.2LTS, L4 DOHC 16VALV, 134CID (MOTOR OPEL Z22SE)-ECOTEC L61



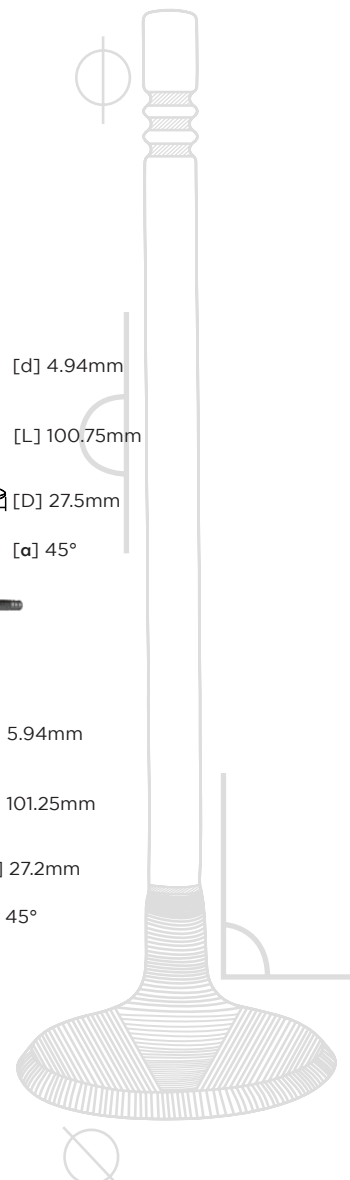
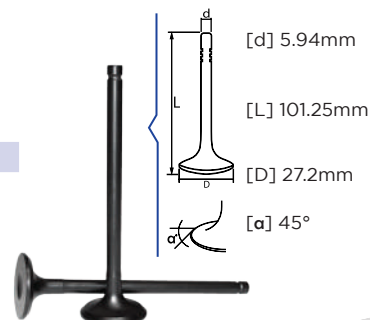
## H3809-EB

MODELO	AÑOS	MOTOR
ASTRA	00-06	1.8LTS, L4 DOHC 16VALV, (MOTOR OPEL Z18XE-Z18XEL-X18XE1-X18XE)
ZAFIRA	00-06	1.8LTS, L4 DOHC 16VALV, (MOTOR OPEL Z18XE-Z18XEL-X18XE1-X18XE)



## H3883-EN

MODELO	AÑOS	MOTOR
AVEO	04-09	1.6LTS, L4 DOHC 16VALV, TECH II
AVEO 5M	04-09	1.6LTS, L4 DOHC 16VALV, TECH II

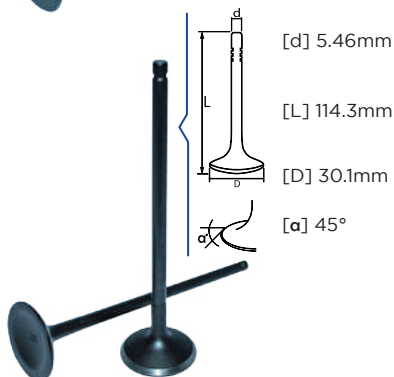


# HONDA

## H4163-EN

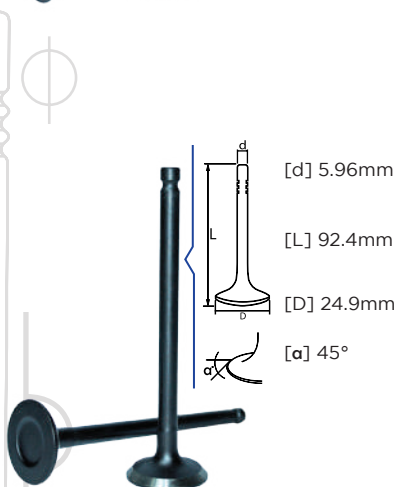


MODELO	AÑOS	MOTOR
ACCORD	97-00	3.0LTS, V6 SOHC 24VALV, J30A1
	98-02	2.3LTS, L4 SOHC 16VALV, F23A1-F23A4-F23A7
ODYSSEY	99-01	3.5LTS, V6 SOHC 24VALV, J35A1
	98-02	2.3LTS, L4 SOHC 16VALV, F23A1-F23A4-F23A7



## H4265-EBN

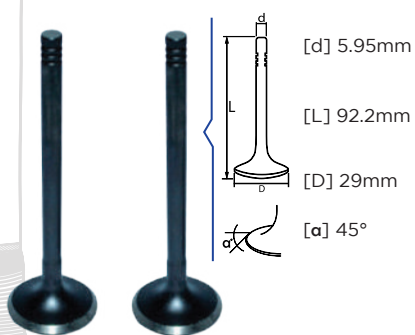
MODELO	AÑOS	MOTOR
ACCORD	98-02	L4,2.3L(2254CC)SOHC16VÁL. F23A1,F23A4,F23A7
	98-02	V6,3.0L(2997CC)SOHC24VÁL.J30A1
ODYSSEY	1998	L4,2.3L(2254CC)SOHC16VÁL. F23A1,F23A4,F23A7
	99-01	V6,3.5L(3474CC)SOHC24VÁL.J35A1



# HYUNDAI

## H4153-EN

MODELO	AÑOS	MOTOR
ACCENT	06-11	1.4LTS, L4 DOHC 16VALV, G4EE
	01-09	1.6LTS, L4 DOHC 16VALV, G4ED-G4EG ALPHA II
ELANTRA	01-09	1.6LTS, L4 DOHC 16VALV, G4ED-G4EG ALPHA II
EXCEL II	01-09	1.6LTS, L4 DOHC 16VALV, G4ED-G4EG ALPHA II
TIBURON	01-09	1.6LTS, L4 DOHC 16VALV, G4ED-G4EG ALPHA II



# ISUZU

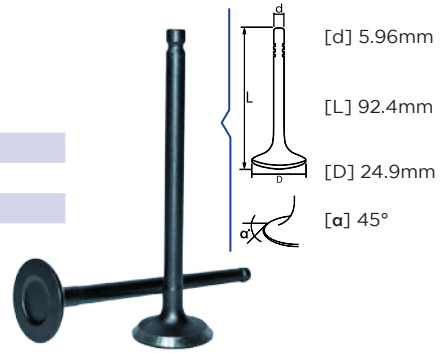
## H23141-EC

MODELO	AÑOS	MOTOR
AMIGO	98-03	2.2LTS, L4 DOHC 16VALV, X22SE
RODEO	98-03	2.2LTS, L4 DOHC 16VALV, X22SE
RODEO SPORT	98-03	2.2LTS, L4 DOHC 16VALV, X22SE

# KIA

## H4153-EN

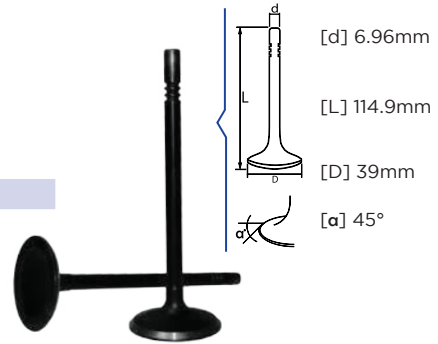
MODELO	AÑOS	MOTOR
CERATO	01-09	1.6LTS, L4 DOHC 16VALV, G4ED-G4EG ALPHA II
PRIDE	01-09	1.6LTS, L4 DOHC 16VALV, G4ED-G4EG ALPHA II
RIOII	01-09	1.6LTS, L4 DOHC 16VALV, G4ED-G4EG ALPHA II
SOUL	01-09	1.6LTS, L4 DOHC 16VALV, G4ED-G4EG ALPHA II



# LAND ROVER

## H3979-ECB

MODELO	AÑOS	MOTOR
LR3	05-08	4.0LTS, V6 SOHC 12VALV, 245CID- COLOGNE



# LINCOLN

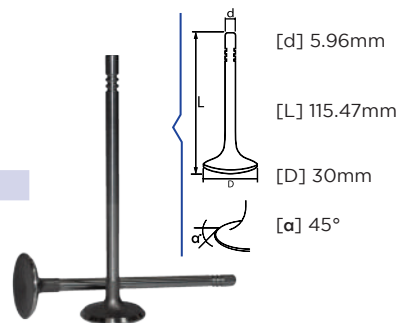
## H3991-ECB

MODELO	AÑOS	MOTOR
LS	01-10	3.0LTS, V6 DOHC 24VALV, 182CID DURATEC



## H3539-ECB

MODELO	AÑOS	MOTOR
NAVIGATOR	99-10	5.4LTS, V8 SOHC 16VALV, 330CID-POWER IMPROVED
TOWNCAR	99-10	4.6LTS, V8 SOHC 16VALV, 281CID-TRITON WINDOSR-ROMERO

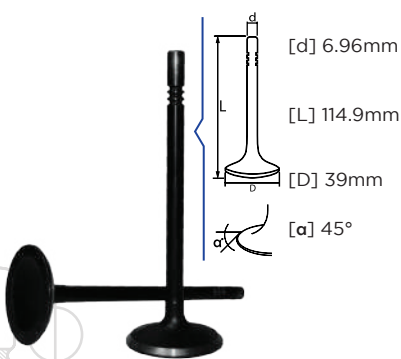


# MAZDA

## H3095-EC

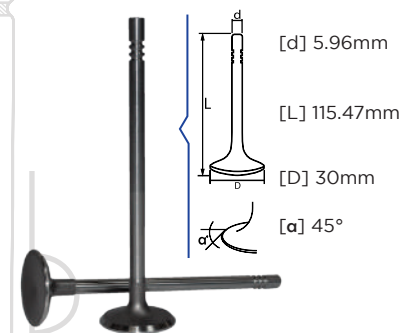


MODELO	AÑOS	MOTOR
3	01-10	2.3LTS, L4 DOHC 16VALV, 140CID-DURATEC (L3-V3)
	09-12	2.5LTS, L4 DOHC 16VALV, DURATEC (MOTOR ALUMINIO)
5	01-10	2.3LTS, L4 DOHC 16VALV, 140CID-DURATEC (L3-V3)
	09-12	2.5LTS, L4 DOHC 16VALV, DURATEC (MOTOR ALUMINIO)
6	01-10	2.3LTS, L4 DOHC 16VALV, 140CID-DURATEC (L3-V3)
	09-12	2.5LTS, L4 DOHC 16VALV, DURATEC (MOTOR ALUMINIO)
B2300	01-10	2.3LTS, L4 DOHC 16VALV, 140CID-DURATEC (L3-V3)
CX-7	09-12	2.5LTS, L4 DOHC 16VALV, DURATEC (MOTOR ALUMINIO)
MIATA	01-10	2.3LTS, L4 DOHC 16VALV, 140CID-DURATEC (L3-V3)
MX-5	01-10	2.3LTS, L4 DOHC 16VALV, 140CID-DURATEC (L3-V3)
TRIBUTE	01-10	2.3LTS, L4 DOHC 16VALV, 140CID-DURATEC (L3-V3)



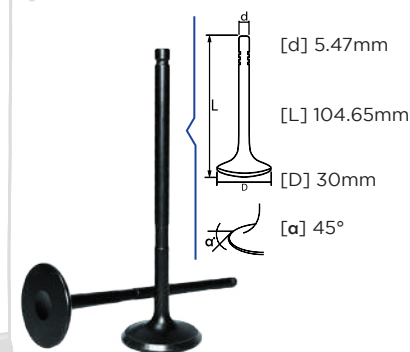
MODELO	AÑOS	MOTOR
B4000	01-08	4.0LTS, V6 SOHC 12VALV, 245CID- COLOGNE

## H3979-ECB



MODELO	AÑOS	MOTOR
6	96-09	3.0LTS, V6 DOHC 24VALV, 182CID DURATEC
MPV	96-09	3.0LTS, V6 DOHC 24VALV, 182CID DURATEC
TRIBUTE	96-09	3.0LTS, V6 DOHC 24VALV, 182CID DURATEC

## H3991-ECB



MODELO	AÑOS	MOTOR
MARINER	01-10	2.3LTS, L4 DOHC 16VALV, 140CID-DURATEC (L3-V3)
	09-12	2.5LTS, L4 DOHC 16VALV, DURATEC (MOTOR ALUMINIO)

## H3095-EC

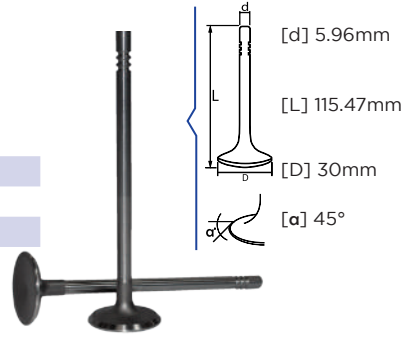
# MERCURY

CONTINUA PAGINA 36

# MERCURY

## H3991-ECB

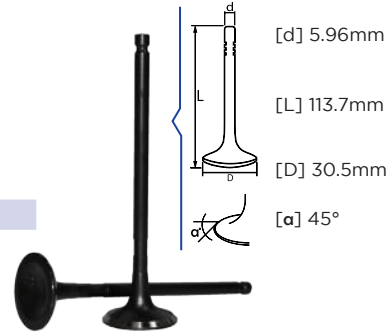
MODELO	AÑOS	MOTOR
MARINER	01-10	3.0LTS, V6 DOHC 24VALV, 182CID DURATEC
MILAN	01-10	3.0LTS, V6 DOHC 24VALV, 182CID DURATEC
SABLE	01-10	3.0LTS, V6 DOHC 24VALV, 182CID DURATEC



# MITSUBISHI

## H4161-EB

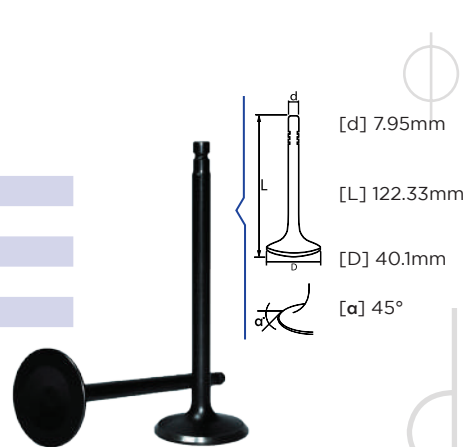
MODELO	AÑOS	MOTOR
LANCER	03-07	2.4L 16V



# NISSAN

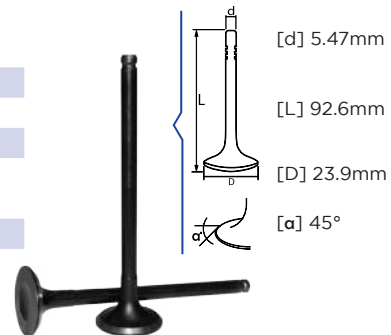
## H3359-E

MODELO	AÑOS	MOTOR
AXCESS	89-98	2.4LTS, L4 SOHC 12VALV, KA24E
D21	89-98	2.4LTS, L4 SOHC 12VALV, KA24E
ESTAQUITAS	89-98	2.4LTS, L4 SOHC 12VALV, KA24E
ICHIVAN	89-98	2.4LTS, L4 SOHC 12VALV, KA24E
PICKUP	89-98	2.4LTS, L4 SOHC 12VALV, KA24E
STANZA	89-98	2.4LTS, L4 SOHC 12VALV, KA24E



## H3455-EBN

MODELO	AÑOS	MOTOR
200SX	93-13	1.6LTS, L4 DOHC 16VALV, GA16DE
ALMERA	00-06	1.8LTS, L4 DOHC 16VALV, QG18DE
LUCCINO	93-13	1.6LTS, L4 DOHC 16VALV, GA16DE
SENTRA	93-13	1.6LTS, L4 DOHC 16VALV, GA16DE
SENTRA	00-06	1.8LTS, L4 DOHC 16VALV, QG18DE
TSBAME	93-13	1.6LTS, L4 DOHC 16VALV, GA16DE
TSURU	93-13	1.6LTS, L4 DOHC 16VALV, GA16DE



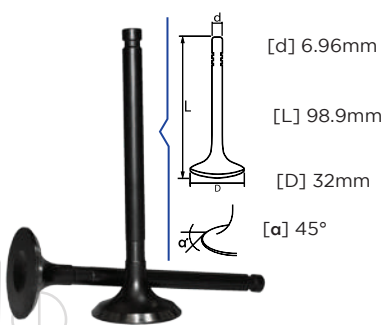
CONTINUA PAGINA 37

# NISSAN



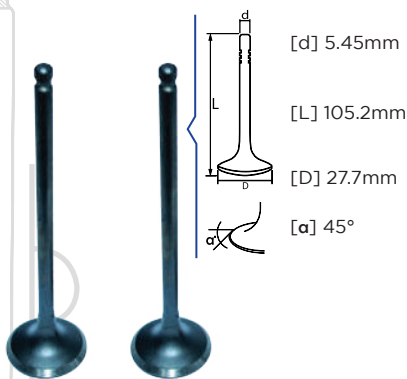
## H4003-EN

MODELO	AÑOS	MOTOR
ALTIMA	01-11	2.5LTS, L4 DOHC 16VALV, QR25DE
FRONTIER	01-11	2.5LTS, L4 DOHC 16VALV, QR25DE
ROGUE	01-11	2.5LTS, L4 DOHC 16VALV, QR25DE
SENTRA SE-R	01-11	2.5LTS, L4 DOHC 16VALV, QR25DE
URVAN	01-11	2.5LTS, L4 DOHC 16VALV, QR25DE
X-TRAIL	01-11	2.5LTS, L4 DOHC 16VALV, QR25DE



## H4125-EN

MODELO	AÑOS	MOTOR
MONTA CARGAS FORK LIFT	-	2.5LTS, L4 OHV 8VALV, K21A-K25A



## H4135-EN

MODELO	AÑOS	MOTOR
CUBE (USA)	07-13	1.8LTS, L4 DOHC 16VALV, MR18DE
SENTRA	07-12	2.0LTS, L4 DOHC 16VALV, MR20DE
TIIDA	07-12	2.0LTS, L4 DOHC 16VALV, MR20DE
VERSA(USA)	07-13	1.8LTS, L4 DOHC 16VALV, MR18DE



## H4137-EN

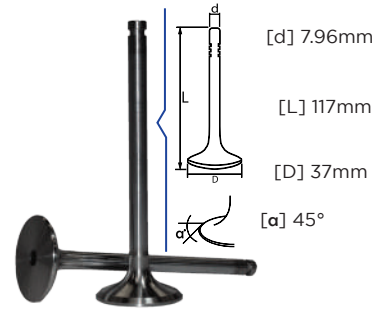
MODELO	AÑOS	MOTOR
CABSTAR	07-11	2.5LTS, L4 DOHC 16VALV, YD25DDTI DIESEL TURBO INTERCOOLER
D22	07-11	2.5LTS, L4 DOHC 16VALV, YD25DDTI DIESEL TURBO INTERCOOLER
PICKUP	07-11	2.5LTS, L4 DOHC 16VALV, YD25DDTI DIESEL TURBO INTERCOOLER
ESTAQUITAS	07-11	2.5LTS, L4 DOHC 16VALV, YD25DDTI DIESEL TURBO INTERCOOLER
FRONTIER	07-11	2.5LTS, L4 DOHC 16VALV, YD25DDTI DIESEL TURBO INTERCOOLER

CONTINUA PAGINA 38

# NISSAN

## H4317-EN

MODELO	AÑOS	MOTOR
F22	-	L4, (2.5 LTS.), 8 VALVE, TD 25TI
CABSTAR	-	L4, (2.5 LTS.), 8 VALVE, TD 25TI
D21	-	L4, (2.5 LTS.), 8 VALVE, TD 25TI
URVAN	-	L4, (2.5 LTS.), 8 VALVE, TD 25TI
PICK-UP	-	L4, (2.5 LTS.), 8 VALVE, TD 25TI



## H4519-EN

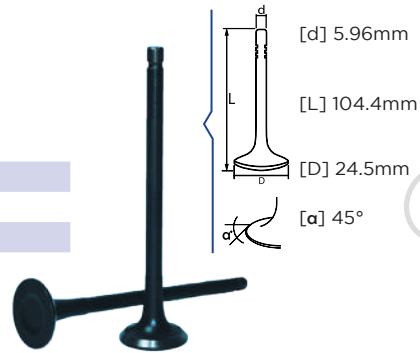
MODELO	AÑOS	MOTOR
MARCH	11-13	L4,1.6L(1598CC)DOHC16VÁL.HR16DE
VERSA	11-13	L4,1.6L(1598CC)DOHC16VÁL.HR16DE



# PEUGEOT

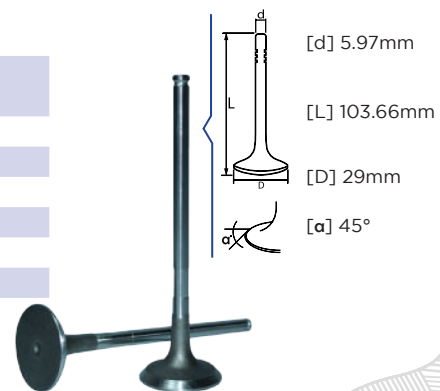
## H3617-E

MODELO	AÑOS	MOTOR
206	01-11	1.6LTS, L4 DOHC 16VALV, TU5JP4
207COMPACT	01-11	1.6LTS, L4 DOHC 16VALV, TU5JP4
GRAND RAID	01-11	1.6LTS, L4 DOHC 16VALV, TU5JP4
PARTNER	01-11	1.6LTS, L4 DOHC 16VALV, TU5JP4



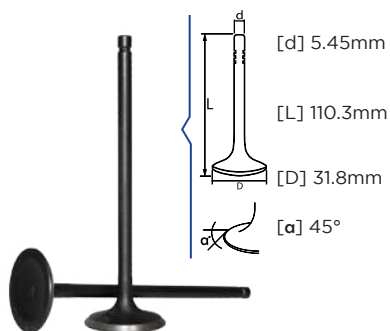
## H3885-ECB

MODELO	AÑOS	MOTOR
307CC	02-05	2.0LTS, L4 DOHC 16VALV, EW10J4 (RFN)-EW10J4S (RFK)
	06-10	2.0LTS, L4 DOHC 16VALV, EW10A VVT (RFJ)
307SEDAN	06-10	2.0LTS, L4 DOHC 16VALV, EW10A VVT (RFJ)
307XR	02-05	2.0LTS, L4 DOHC 16VALV, EW10J4 (RFN)-EW10J4S (RFK)
307XSI	06-10	2.0LTS, L4 DOHC 16VALV, EW10A VVT (RFJ)
406ST	02-05	2.0LTS, L4 DOHC 16VALV, EW10J4 (RFN)-EW10J4S (RFK)
XLINE-FELINE	06-10	2.0LTS, L4 DOHC 16VALV, EW10A VVT (RFJ)
XS	02-05	2.0LTS, L4 DOHC 16VALV, EW10J4 (RFN)-EW10J4S (RFK)
XT	02-05	2.0LTS, L4 DOHC 16VALV, EW10J4 (RFN)-EW10J4S (RFK)





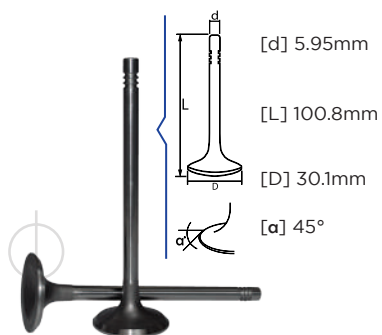
# PONTIAC



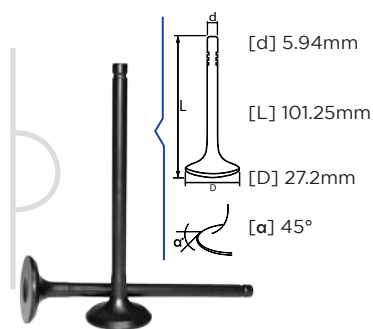
## H3795-EN

MODELO	AÑOS	MOTOR
G2	04-09	1.0LTS, L4 SOHC 8VALV. (MOTOR SUZUKI B10S1)

## H3807-E

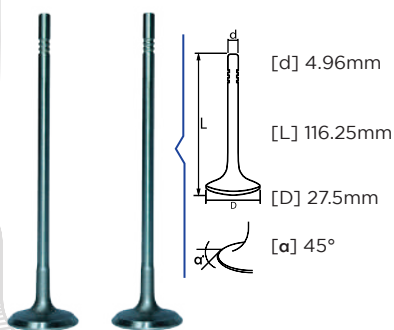


MODELO	AÑOS	MOTOR
G5	01-10	2.2LTS, L4 DOHC 16VALV, 134CID (MOTOR OPEL Z22SE)
G5	06-12	2.4LTS, L4 DOHC 16VALV, LE5-LE9 FLEX FUEL ECOTEC
G6	06-12	2.4LTS, L4 DOHC 16VALV, LE5-LE9 FLEX FUEL ECOTEC
GRAND AM	01-10	2.2LTS, L4 DOHC 16VALV, 134CID (MOTOR OPEL Z22SE)
ION-3	06-12	2.4LTS, L4 DOHC 16VALV, LE5-LE9 FLEX FUEL ECOTEC
PURSUIT	01-10	2.2LTS, L4 DOHC 16VALV, 134CID (MOTOR OPEL Z22SE)
PURSUIT	06-12	2.4LTS, L4 DOHC 16VALV, LE5-LE9 FLEX FUEL ECOTEC
SATURN AURA	06-12	2.4LTS, L4 DOHC 16VALV, LE5-LE9 FLEX FUEL ECOTEC
SKY	06-12	2.4LTS, L4 DOHC 16VALV, LE5-LE9 FLEX FUEL ECOTEC
SOLSTICE	06-12	2.4LTS, L4 DOHC 16VALV, LE5-LE9 FLEX FUEL ECOTEC
SUNFIRE	01-10	2.2LTS, L4 DOHC 16VALV, 134CID (MOTOR OPEL Z22SE)



## H3883-EN

MODELO	AÑOS	MOTOR
G3	04-09	1.6LTS, L4 DOHC 16VALV, TECH II



## H4327-EC

MODELO	AÑOS	MOTOR
G3	09-13	1.6LTS, L4 DOHC 16VALV, VVT-LDE-VCT-LXV

# RENAULT

## H3865-E

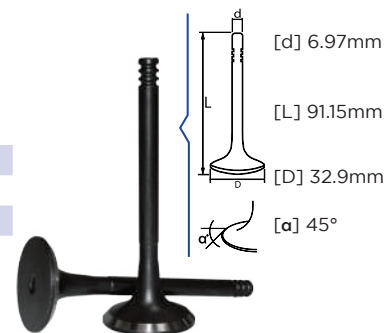
MODELO	AÑOS	MOTOR
CLIO SPORT	01-09	2.0LTS, L4 DOHC 16VALV, F4R (730-740-777)
LAGUNA	01-09	2.0LTS, L4 DOHC 16VALV, F4R (730-740-777)
MEGANE I-II	01-09	2.0LTS, L4 DOHC 16VALV, F4R (730-740-777)
SCENIC	01-09	2.0LTS, L4 DOHC 16VALV, F4R (730-740-777)



# SEAT

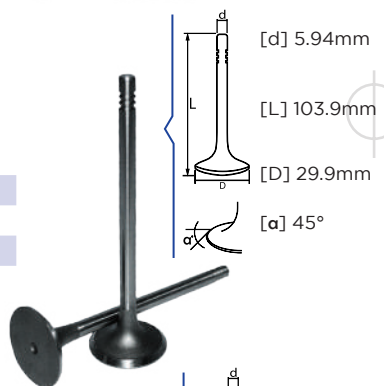
## H3485-EB

MODELO	AÑOS	MOTOR
CORDOBA	98-10	2.0LTS, L4 SOHC 8VALV
IBIZA	98-10	2.0LTS, L4 SOHC 8VALV
TOLEDO	98-10	2.0LTS, L4 SOHC 8VALV



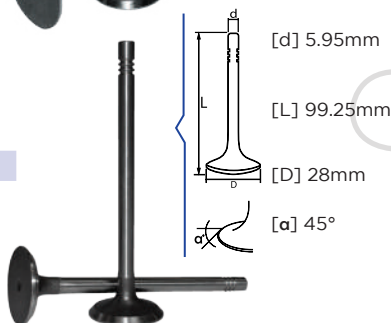
## H3489-EC

MODELO	AÑOS	MOTOR
ALHAMBRA	96-08	1.8LTS, L4 DOHC 20VALV, AEB, AMB, AMU, ATC, ATW, AWM, AWP, BEA TURBO
IBIZA	96-08	1.8LTS, L4 DOHC 20VALV, AEB, AMB, AMU, ATC, ATW, AWM, AWP, BEA TURBO
LEON	96-08	1.8LTS, L4 DOHC 20VALV, AEB, AMB, AMU, ATC, ATW, AWM, AWP, BEA TURBO
TOLEDO	96-08	1.8LTS, L4 DOHC 20VALV, AEB, AMB, AMU, ATC, ATW, AWM, AWP, BEA TURBO



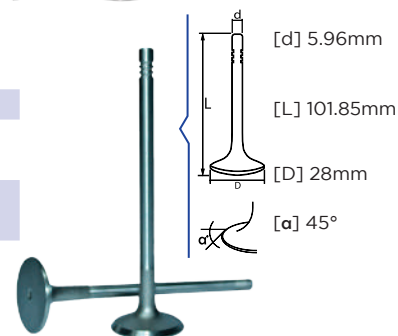
## H3887-EB

MODELO	AÑOS	MOTOR
IBIZA	03-11	1.6LTS, L4 SOHC 8VALV, ABU
CORDOBA	03-11	1.6LTS, L4 SOHC 8VALV, ABU



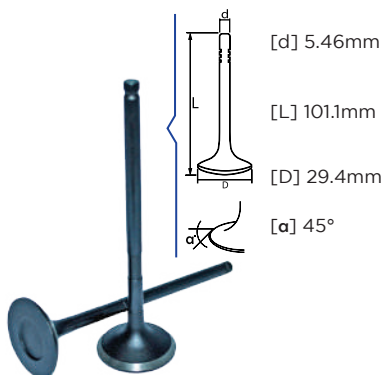
## H4221-ECB

MODELO	AÑOS	MOTOR
ALHAMBRA	06-13	1.8LTS, L4 DOHC 16VALV, TURBO TFSI
ALTEA	06-13	1.8LTS, L4 DOHC 16VALV, TURBO TFSI
	05-12	2.0LTS, L4 DOHC 16VALV, TURBO FSI
LEON	06-13	1.8LTS, L4 DOHC 16VALV, TURBO TFSI
	05-12	2.0LTS, L4 DOHC 16VALV, TURBO FSI
TOLEDO	06-13	1.8LTS, L4 DOHC 16VALV, TURBO TFSI



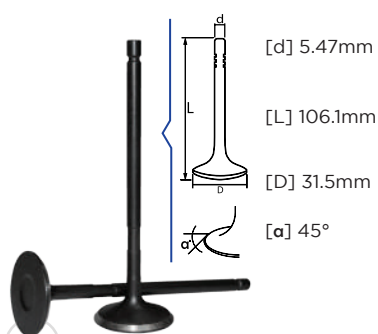
# TOYOTA

## H4231-EN



MODELO	AÑOS	MOTOR
CAMRY	02-08	L4.2.4L(2366CC)DOHC16VÁL.2AZFE
HIGHLANDER	01-07	L4.2.4L(2366CC)DOHC16VÁL.2AZFE
RAV-4	01-08	L4.2.4L(2366CC)DOHC16VÁL.2AZFE
SCIONTC	05-08	L4.2.4L(2366CC)DOHC16VÁL.2AZFE
SOLARA	02-08	L4.2.4L(2366CC)DOHC16VÁL.2AZFE

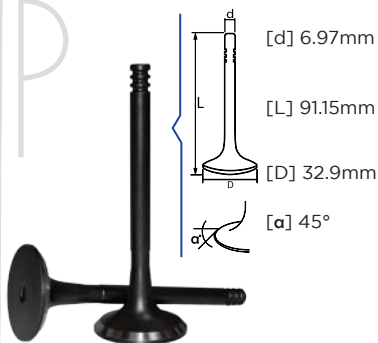
## H4431-EN



MODELO	AÑOS	MOTOR
HI-LUX	05-10	2.7LTS, L4 DOHC 16VALV, 2TRFE
HIACE	05-10	2.7LTS, L4 DOHC 16VALV, 2TRFE
TACOMA	05-10	2.7LTS, L4 DOHC 16VALV, 2TRFE
4RUNNER	05-10	2.7LTS, L4 DOHC 16VALV, 2TRFE

# VOLKSWAGEN

## H3485-EB



MODELO	AÑOS	MOTOR
CABRIO A3	93-02	2.0LTS, L4 SOHC 8VALV, ABA
CABRIO A4	98-10	2.0LTS, L4 SOHC 8VALV
CARABELA	92-95	1.8LTS, L4 SOHC 8VALV
COMBI	92-95	1.8LTS, L4 SOHC 8VALV
DERBY	98-05	1.8LTS, L4 SOHC 8VALV
DERBY	92-95	1.8LTS, L4 SOHC 8VALV
GOLF	98-10	2.0LTS, L4 SOHC 8VALV
GOLF A3	92-95	1.8LTS, L4 SOHC 8VALV
GOLF A3	93-02	2.0LTS, L4 SOHC 8VALV, ABA
GOLF A4	98-10	2.0LTS, L4 SOHC 8VALV
GOLF GTI A3	93-02	2.0LTS, L4 SOHC 8VALV, ABA
GOLF GTI A4	98-10	2.0LTS, L4 SOHC 8VALV
JETTA A3	92-95	1.8LTS, L4 SOHC 8VALV
JETTA A3	93-02	2.0LTS, L4 SOHC 8VALV, ABA
JETTA A4	98-10	2.0LTS, L4 SOHC 8VALV
NEW BEETLE	98-10	2.0LTS, L4 SOHC 8VALV
PANEL	92-95	1.8LTS, L4 SOHC 8VALV
PASSAT	93-02	2.0LTS, L4 SOHC 8VALV, ABA
POINTER	98-05	1.8LTS, L4 SOHC 8VALV
VAN	92-95	1.8LTS, L4 SOHC 8VALV

CONTINUA PAGINA 42

# VOLKSWAGEN

## H1305-ECP

MODELO	AÑOS	MOTOR
SEDAN	75-04	1.5, 1.6LTS, H4 OHV 8VALV

## H3489-EC

MODELO	AÑOS	MOTOR
BEETLE	96-08	1.8LTS, L4 DOHC 20VALV, AEB, AMB, AMU, ATC, ATW, AWM, AWP, BEA TURBO
GOLF GTI	96-08	1.8LTS, L4 DOHC 20VALV, AEB, AMB, AMU, ATC, ATW, AWM, AWP, BEA TURBO
JETTA	96-08	1.8LTS, L4 DOHC 20VALV, AEB, AMB, AMU, ATC, ATW, AWM, AWP, BEA TURBO
PASSAT	96-08	1.8LTS, L4 DOHC 20VALV, AEB, AMB, AMU, ATC, ATW, AWM, AWP, BEA TURBO
	98-05	2.8LTS, V6 DOHC 30VALV, AHA, ATQ
SHARAN	96-08	1.8LTS, L4 DOHC 20VALV, AEB, AMB, AMU, ATC, ATW, AWM, AWP, BEA TURBO

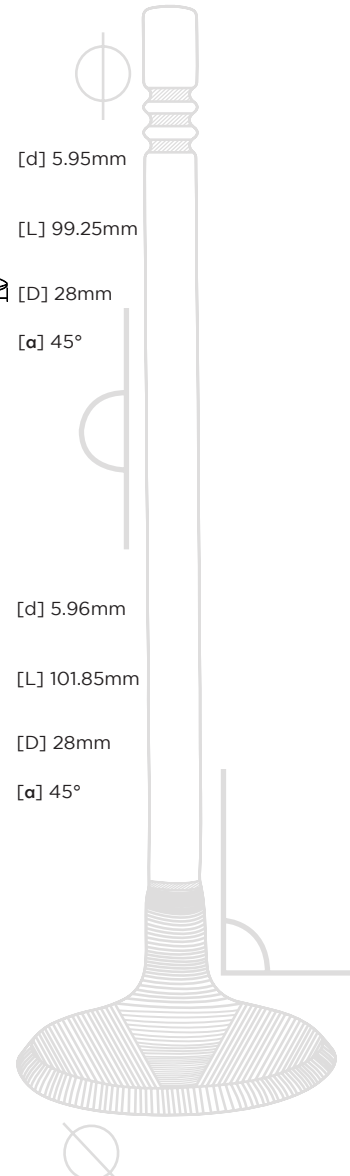
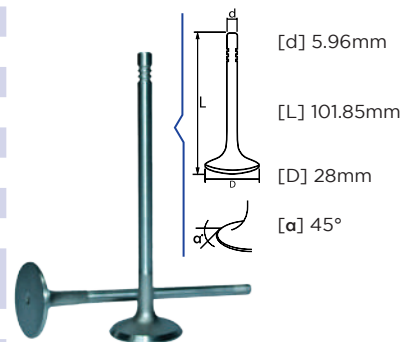
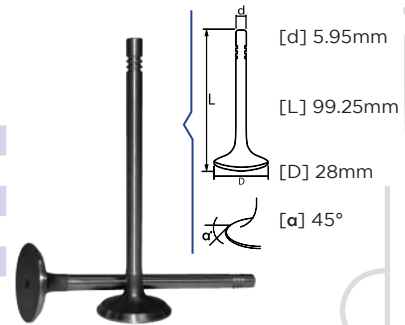
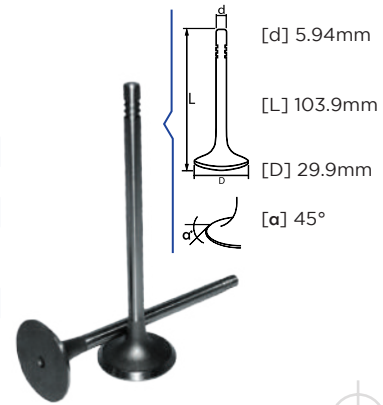
## H3887-EB

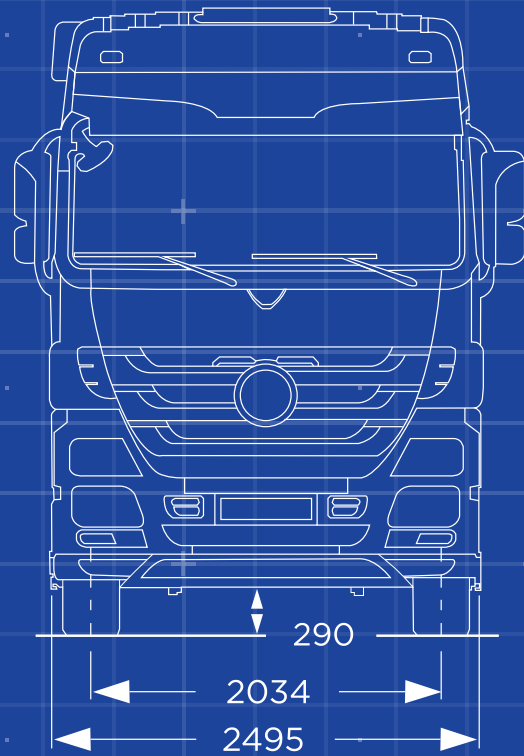
MODELO	AÑOS	MOTOR
CROSSFOX	03-11	1.6LTS, L4 SOHC 8VALV, ABU
GOL	03-11	1.6LTS, L4 SOHC 8VALV, ABU
LUPÓ	03-11	1.6LTS, L4 SOHC 8VALV, ABU
POLO	03-11	1.6LTS, L4 SOHC 8VALV, ABU
SAVEIRO	03-11	1.6LTS, L4 SOHC 8VALV, ABU
SPORTVAN	03-11	1.6LTS, L4 SOHC 8VALV, ABU

## H4221-ECB

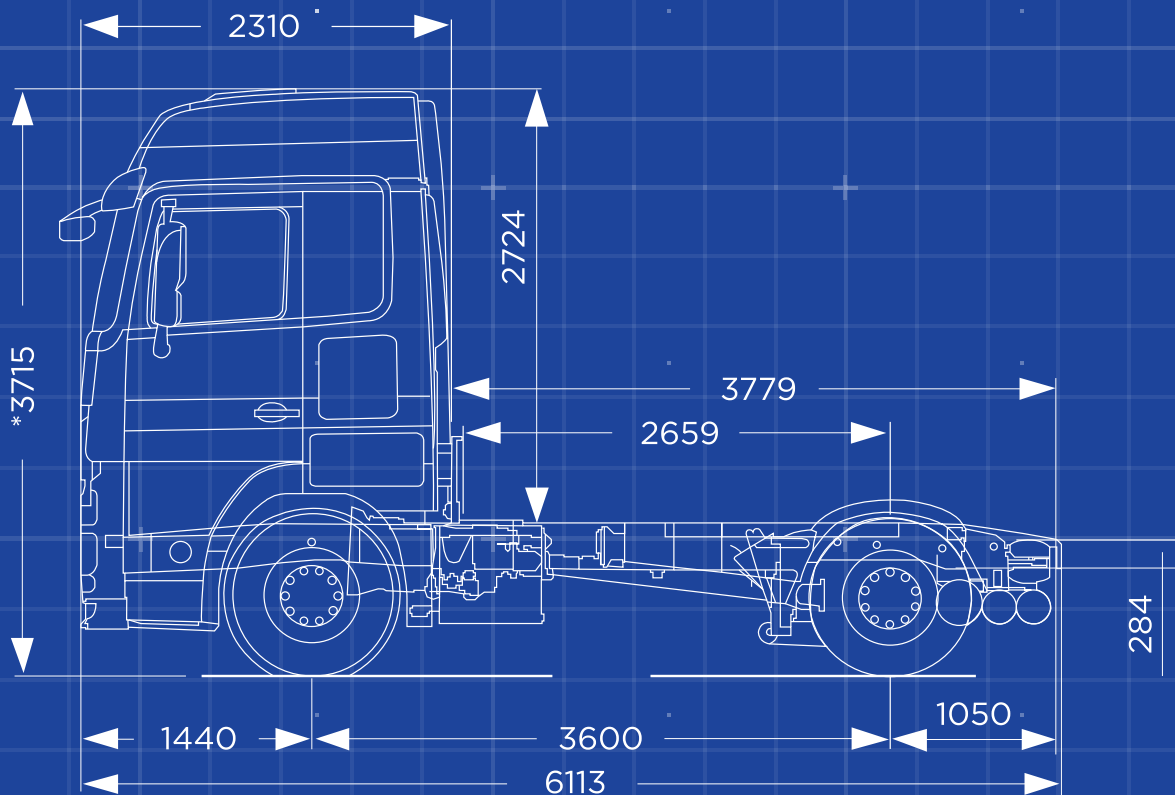
MODELO	AÑOS	MOTOR
BORA	05-11	2.5LTS, L5 DOHC 20VALV, BGP, BPR, BPS, BGQ, CBTA, CBUA
BORA GLI	05-12	2.0LTS, L4 DOHC 16VALV, TURBO FSI
EOS	05-12	2.0LTS, L4 DOHC 16VALV, TURBO FSI
GOLF	05-11	2.5LTS, L5 DOHC 20VALV, BGP, BPR, BPS, BGQ, CBTA, CBUA
GOLF A4	06-13	1.8LTS, L4 DOHC 16VALV, TURBO FSI
GOLF GTI	05-12	2.0LTS, L4 DOHC 16VALV, TURBO FSI
JETTA	05-11	2.5LTS, L5 DOHC 20VALV, BGP, BPR, BPS, BGQ, CBTA, CBUA
NEW BEETLE	05-11	2.5LTS, L5 DOHC 20VALV, BGP, BPR, BPS, BGQ, CBTA, CBUA
PASSAT CC	06-13	1.8LTS, L4 DOHC 16VALV, TURBO FSI
	05-12	2.0LTS, L4 DOHC 16VALV, TURBO FSI
RABBIT	05-11	2.5LTS, L5 DOHC 20VALV, BGP, BPR, BPS, BGQ, CBTA, CBUA
TIGUAN	05-12	2.0LTS, L4 DOHC 16VALV, TURBO FSI

PROXIMAMENTE





# PESADOS





## ¿CONOCES LOS TIPOS DE VÁLVULAS?

Existen varios tipos de válvulas de admisión y escape, siendo las principales las que te contamos a continuación:

1. Válvulas monometálicas: fabricadas racionalmente mediante proceso de extrusión en caliente o proceso de recalado.
2. Válvulas bimetálicas: hacen posible la combinación ideal de materiales tanto para el vástago como para la cabeza.
3. Válvulas huecas: sirven por un lado para la reducción de peso y por otro para la disminución de temperatura. Rellenas de sodio (punto de fusión: 97,5° C), pueden disipar calor desde la cabeza de la válvula hasta el vástago a través del efecto agitador del sodio líquido, y lograr una disminución de la temperatura de entre 80 °C y 150 °C.



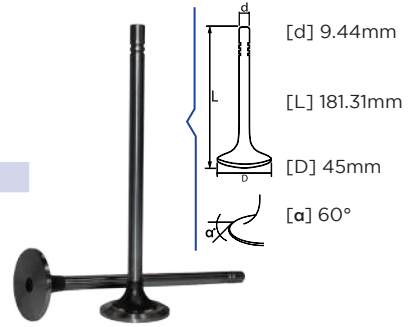
 **HERKO AUTOMOTIVE GROUP MÉXICO**  
**TEL: (55) 5999 1590**

**ADMISIÓN**

# CATERPILLAR

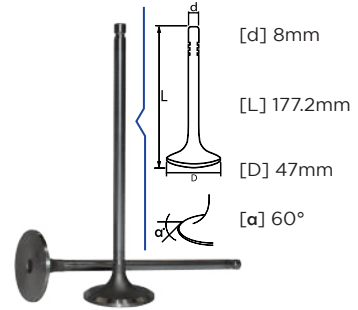
## H23229-ABS

MODELO	AÑOS	MOTOR
CATERPILLAR	-	3406, 3408, 3412



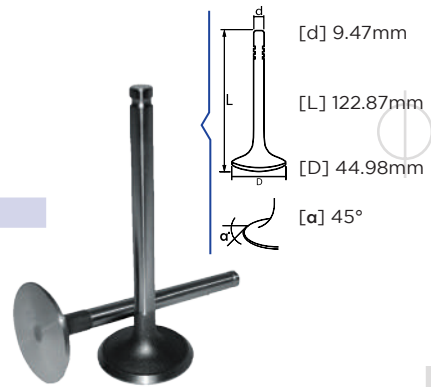
## H3614-AC

MODELO	AÑOS	MOTOR
CATERPILLAR	-	3116



## H3782-AC

MODELO	AÑOS	MOTOR
CATERPILLAR	-	L4 244 CI



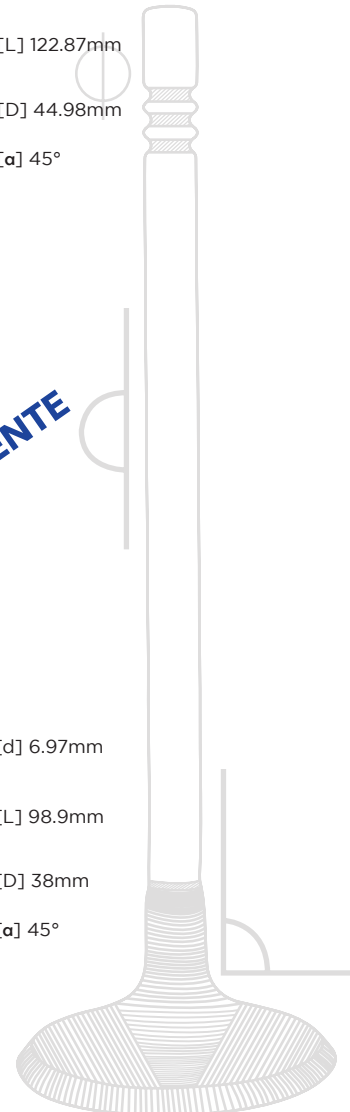
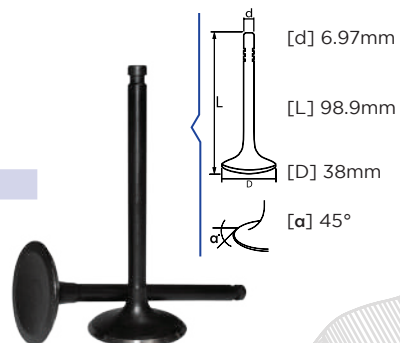
## H3928-AX

MODELO	AÑOS	MOTOR
CATERPILLAR	-	C7,L6 18V 7.2L.

PROXIMAMENTE

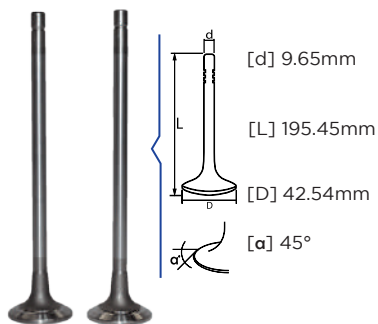
## H4124-A

MODELO	AÑOS	MOTOR
AUTO ELEVADOR CATERPILLAR	-	2.5LTS, L4 OHV 8VALV, K21A-K25A





# CUMMINS



[d] 9.65mm

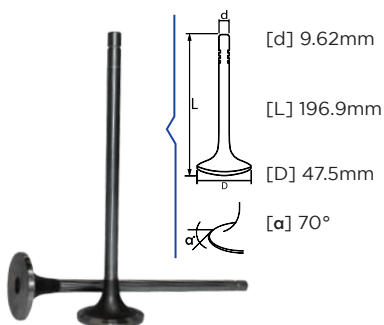
[L] 195.45mm

[D] 42.54mm

[α] 45°

**H3498-A**

MODELO	AÑOS	MOTOR
CUMMINS	-	L-10 M-11 24V



[d] 9.62mm

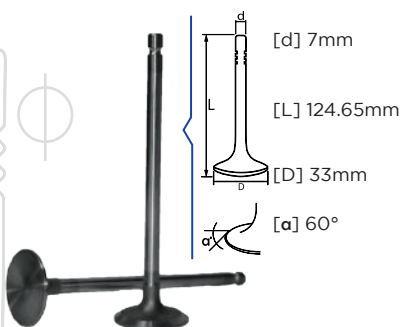
[L] 196.9mm

[D] 47.5mm

[α] 70°

**H3632-AC**

MODELO	AÑOS	MOTOR
CUMMINS	-	N-14 SELECT 20 ELECTRONICA



[d] 7mm

[L] 124.65mm

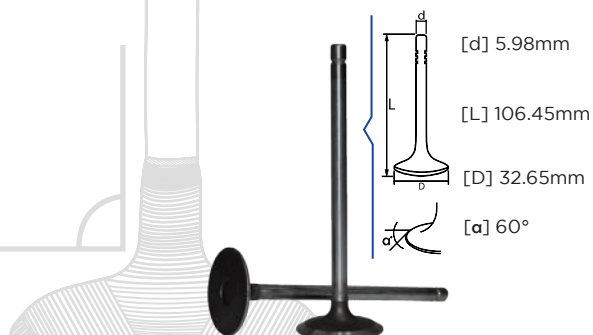
[D] 33mm

[α] 60°

**H3976-AC**

MODELO	AÑOS	MOTOR
CUMMINS	-	ISB 6.7L L6 TURBO ELECTRONI

**PROXIMAMENTE**



[d] 5.98mm

[L] 106.45mm

[D] 32.65mm

[α] 60°

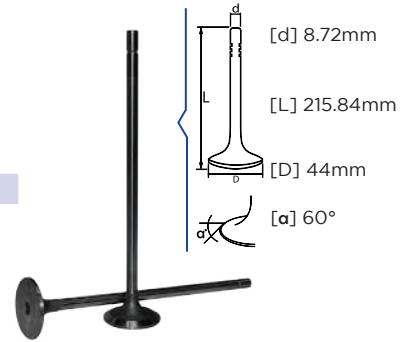
**H4354-AC**

MODELO	AÑOS	MOTOR
CUMMINS	-	L4, (2.8 LTS.), ISF, 16 VALVE.

# DETROIT

## H3446-AC

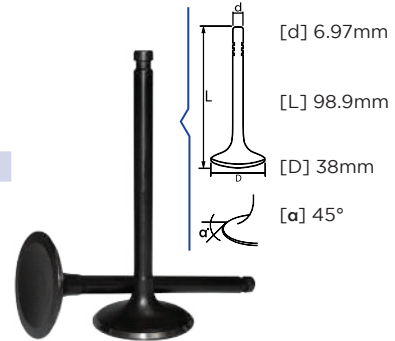
MODELO	AÑOS	MOTOR
60 SERIES	-	11.1L. 12.7L.



# KOMATSU

## H4124-A

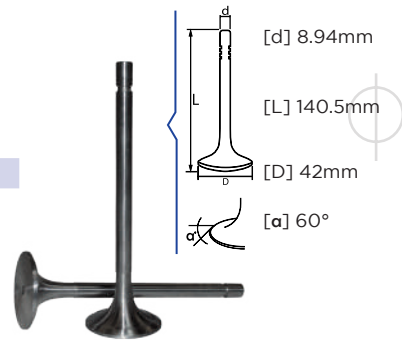
MODELO	AÑOS	MOTOR
KOMATSU	-	2.5LTS, L4 OHV 8VALV, K21A-K25A



# MERCEDES-BENZ

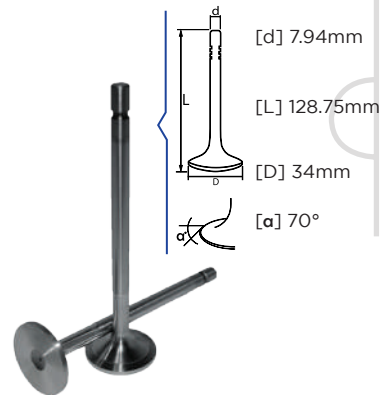
## H3260-ACB C/O

MODELO	AÑOS	MOTOR
MERCEDES-BENZ	-	OM-366 4.0L. 6.0L.



## H3846-ACB

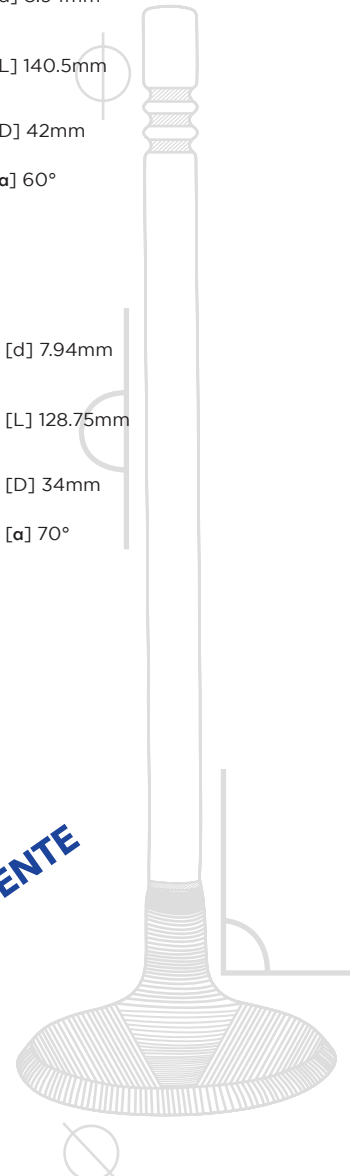
MODELO	AÑOS	MOTOR
MERCEDES-BENZ	-	OM 904 12/18V



## H3856-AC

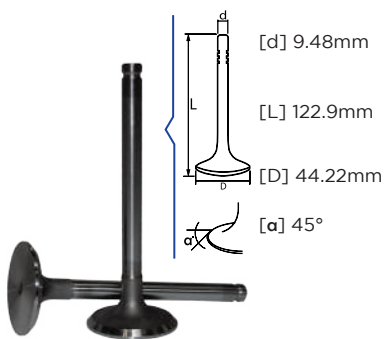
MODELO	AÑOS	MOTOR
MERCEDES-BENZ	-	OM-457 TURBO INTERCOOL ELECTR

**PROXIMAMENTE**



## PERKINS

H249-AC C/O

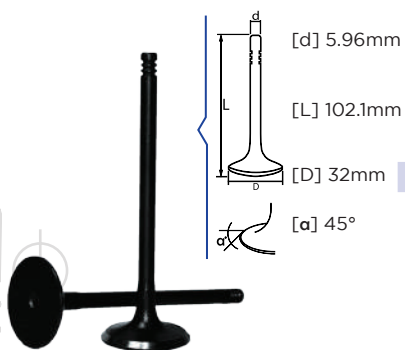


MODELO	AÑOS	MOTOR
--------	------	-------

PERKINS	-	4212,4236-F2,A4248,6354-2
---------	---	---------------------------

## SAAB

H3140-AC

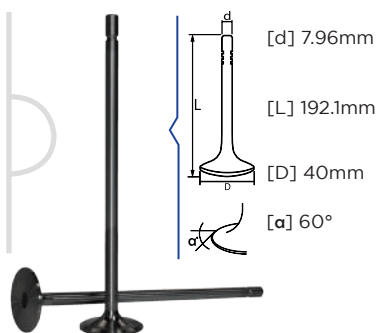


MODELO	AÑOS	MOTOR
--------	------	-------

9-5 TURBO	-	2.4LTS, L4 DOHC 16VALV, (MOTOR OPEL Z24XE)
-----------	---	--

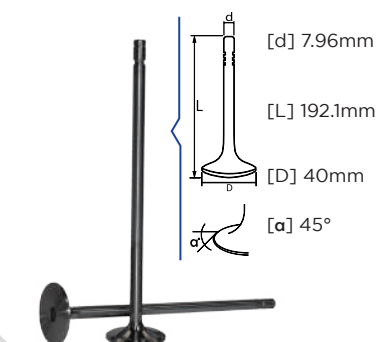
## VOLVO

H3914-ACB



MODELO	AÑOS	MOTOR
--------	------	-------

VOLVO	-	D12A / D12C
-------	---	-------------



MODELO	AÑOS	MOTOR
--------	------	-------

VOLVO	07-09	D12D 12LTS 4V 6CIL
-------	-------	--------------------

H4092-ACB



## CURIOSIDADES DE LAS VÁLVULAS DE ESCAPE:

1. El platillo y el vástago se construyen generalmente en acero con aleación de cromo-manganeso para resistir la oxidación y las altas temperaturas. Sin embargo, la parte superior del vástago suele estar fabricada en cromo-silicio.
2. Las temperaturas de trabajo rondan los 700 °C, por lo que los platillos y vástagos se hacen huecos y se rellenan de sodio para disipar mejor el calor.
3. Son de menor tamaño para forzar la salida de los gases por presión del pistón.



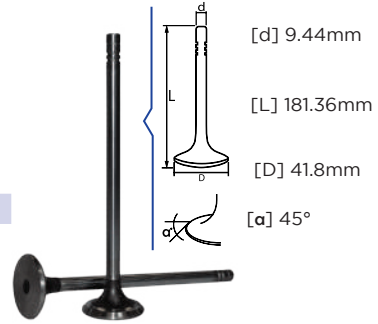
**f HERKO AUTOMOTIVE GROUP MÉXICO**  
**TEL: (55) 5999 1590**

**ESCAPE**

# CATERPILLAR

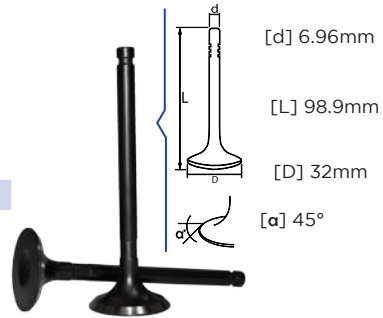
## H23229-EBS

MODELO	AÑOS	MOTOR
CATERPILLAR	-	3406, 3408, 3412



## H4125-EN

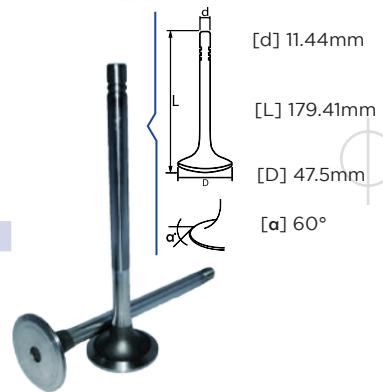
MODELO	AÑOS	MOTOR
AUTO ELEVADOR CATERPILLAR	-	2.5LTS, L4 OHV 8VALV, K21A-K25A



# CUMMINS

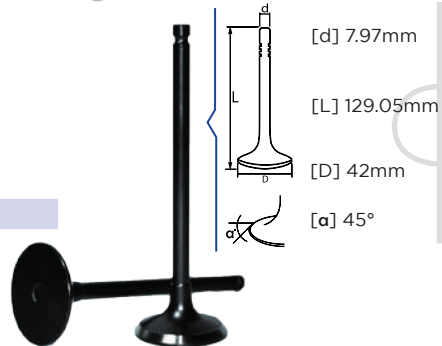
## H1420-EB

MODELO	AÑOS	MOTOR
CUMMINS	-	335, 350NT855 BIG CAM



## H3467-ECB C/O

MODELO	AÑOS	MOTOR
CUMMINS	-	239(3.9L), 359(5.9L)



## H3497-EBS

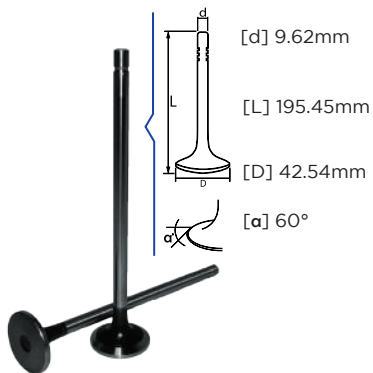
MODELO	AÑOS	MOTOR
CUMMINS	-	N14 MECANICA



CONTINUA PAGINA 53

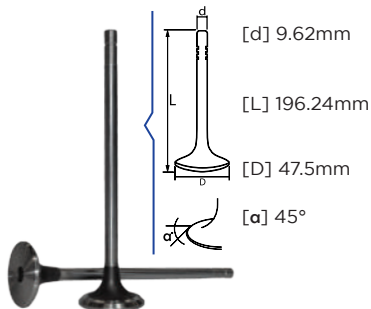
# CUMMINS

## H3499-ECBS



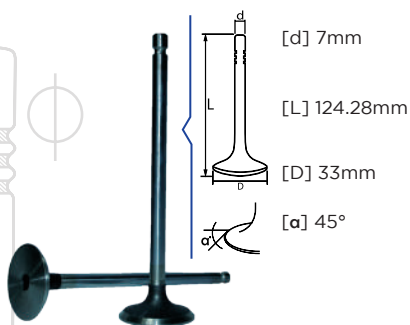
MODELO	AÑOS	MOTOR
CUMMINS	-	L-10 M-11 24V

## H3633-EBS



MODELO	AÑOS	MOTOR
CUMMINS	-	N-14 SELECT 20 ELECTRONICA

## H3977-ECB



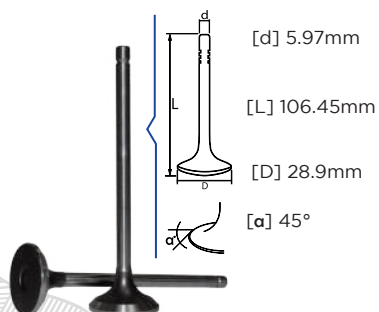
MODELO	AÑOS	MOTOR
CUMMINS	-	ISB 6.7L L6 TURBO ELECTRONI

## H4193-EX

**PROXIMAMENTE**

MODELO	AÑOS	MOTOR
CUMMINS	-	15LTS ISX/QSX 24V

## H4355-ECB

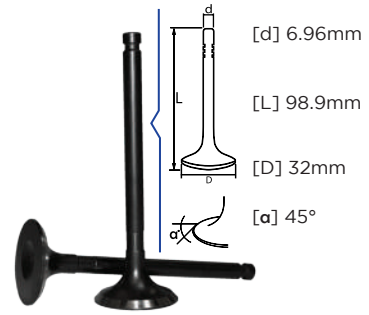


MODELO	AÑOS	MOTOR
CUMMINS	-	L4, (2.8 LTS.), ISF, 16 VALVE.

# KOMATSU

## H4125-EN

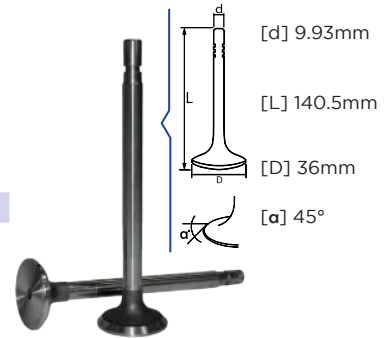
MODELO	AÑOS	MOTOR
KOMATSU		2.5LTS, L4 OHV 8VALV, K21A-K25A



# MERCEDES-BENZ

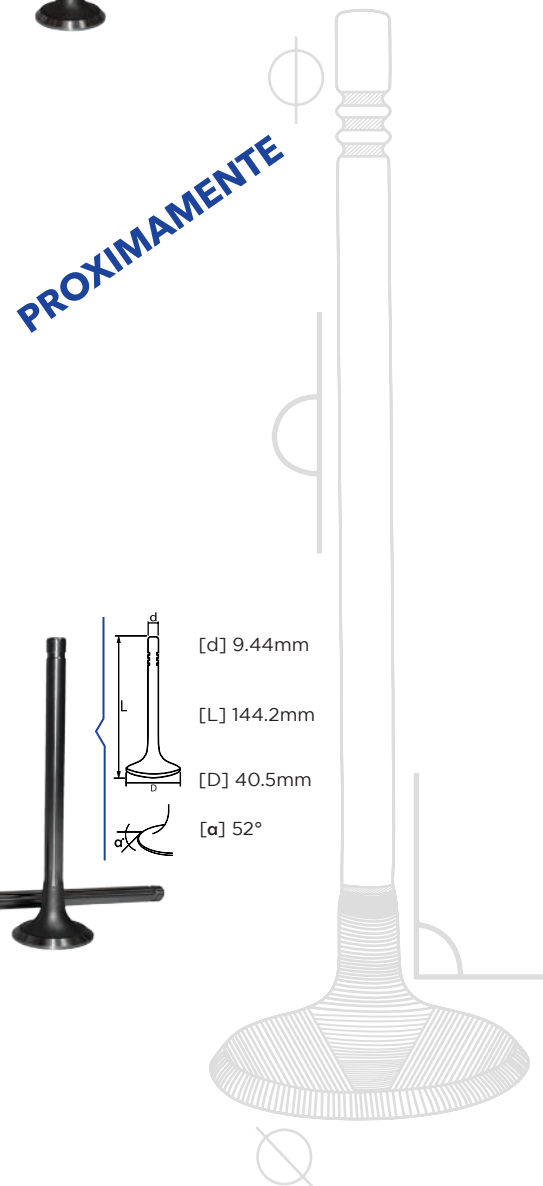
## H23260-ECB C/O

MODELO	AÑOS	MOTOR
MERCEDES-BENZ		OM-366 4.0L. 6.0L.



## H3857-ECB

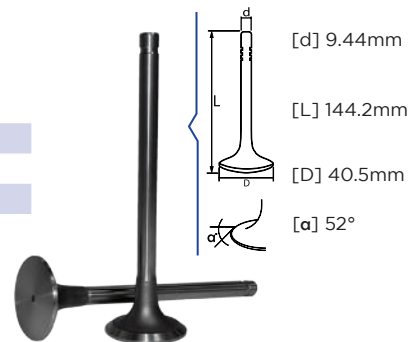
MODELO	AÑOS	MOTOR
MERCEDES-BENZ	-	OM-457 TURBO INTERCOOL ELECTR



# NAVISTAR

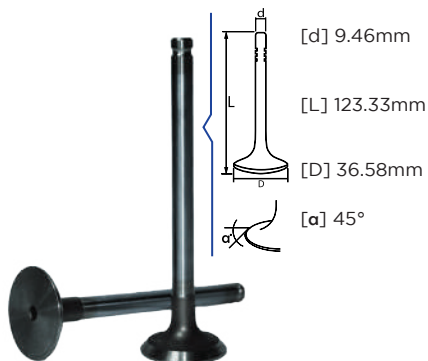
## H23019-ECP

MODELO	AÑOS	MOTOR
F250		6.9 LTS.MOTOR IHC 420
F350		6.9 LTS.MOTOR IHC 420
E250		6.9 LTS.MOTOR IHC 420
E350		6.9 LTS.MOTOR IHC 420





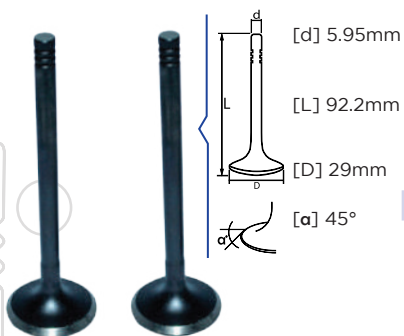
# PERKINS



H249-EC C/O

MODELO	AÑOS	MOTOR
PERKINS	-	4212,4236-F2,A4248,6354-2

# SAAB



H23141-EC

MODELO	AÑOS	MOTOR
9-5 TURBO	-	2.4LTS, L4 DOHC 16VALV, (MOTOR OPEL Z24XE)

# VOLVO

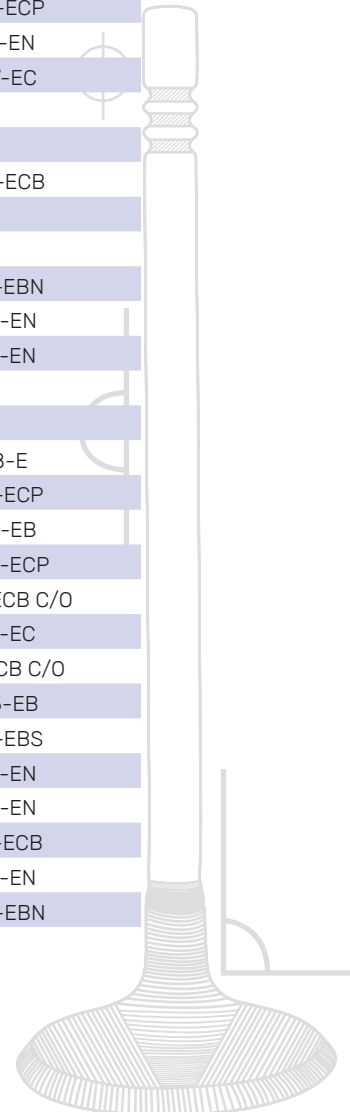


H3915-ECB

MODELO	AÑOS	MOTOR
VOLVO	-	D12A / D12C

# LISTA DE VÁLVULAS

ADMISION	ESCAPE	ADMISION	ESCAPE
H23229-ABS	H23229-EBS	H3928-AX	-
H249-AC C/O	H249-EC C/O	H3976-AC	H3977-ECB
H3094-AC	H3095-EC	H3978-AC	H3979-ECB
H3136-AC	H3137-ECB	H3990-AC	H3991-ECB
H3140-AC	H23141-EC	H4002-AN	H4003-EN
H3146-AC	H3147-ECB	H4050-AN	-
H3231-AN	-	H4082-A	-
H3260-ACB C/O	-	H4092-ACB	-
H3310-A	-	H4112-AC	H4113-ECB
H3352-A	-	H4124-A	H4125-EN
H3358-A	H3359-E	H4136-A	H4137-EN
H3446-AC	-	H4152-AN	H4153-EN
H3454-AN	H3455-EBN	H4160-A	H4161-EB
H3486-A	-	H4192-AC	H4193-EX
H3488-AS	H3489-EC	H4292-AC	H4293-ECP
H3498-A	H3499-ECBS	H4316-AN	H4317-EN
H3514-AC	H3515-EC	H4326-AC	H4327-EC
H3538-AC	H3539-ECB	H4336-AC	-
H3598-A	-	H4344-AN	-
H3614-AC	-	H4354-AC	H4355-ECB
H3616-A	H3617-E	H4388-AC	-
H3618-AC	H3619-ECB	H4408-AX	-
H3632-AC	H3633-EBS	H4426-AN	H4427-EBN
H3704-AC	-	H4430-AN	H4431-EN
H3738-AN	-	H4518-AN	H4519-EN
H3782-AC	-	H829-AN	-
H3794-AN	H3795-EN	H844-A	-
H3796-AN	-	-	H1138-E
H3806-AC	H3807-E	-	H1305-ECP
H3808-A	H3809-EB	-	H1420-EB
H3832-AC	-	-	H23019-ECP
H3834-AC	H3835-ECB	-	H23260-ECB C/O
H3846-ACB	-	-	H3139-EC
H3854-AN	-	-	H3467-ECB C/O
H3856-AC	H3857-ECB	-	H3485-EB
H3864-A	H3865-E	-	H3497-EBS
H3882-AN	H3883-EN	-	H4135-EN
H3884-A	H3885-ECB	-	H4163-EN
H3886-A	H3887-EB	-	H4221-ECB
H3912-AC	H3913-ECB	-	H4231-EN
H3914-ACB	H3915-ECB	-	H4265-EBN



# HERKO

Automotive Group



METALES



PISTONES



BUJÍAS Y SENSORES  
DE OXÍGENO



ANILLOS DE PISTÓN



BOMBAS DE AGUA



METALES Y  
ANILLOS DE PISTÓN



CABLES PARA BUJÍAS

La gama más completa en sistema para motor y las mejores marcas las encontraras solo con nosotros. Desde 1988 construimos el futuro.

HERKO Automotive Group México



ALMACÉN LATINOAMERICANO DE FÁBRICAS AUTOMOTRICES, S.A. DE C.V.  
Margarita Maza de Juárez No. 191 Col. Nueva Industrial Vallejo Del. Gustavo A. Madero, C.P. 07700  
Tel.: (55) 5999 1590 Correo: [ventas@herko.com.mx](mailto:ventas@herko.com.mx)



[www.herko.com.mx](http://www.herko.com.mx)



www.herko.com.mx

Catálogo 2021


HO-001



HERKO  
Automotive Group

 HERKO Automotive Group México

ALMACÉN LATINOAMERICANO DE FÁBRICAS AUTOMOTRICES, S.A. DE C.V.  
Margarita Maza de Juárez No. 191 Col. Nueva Industrial Vallejo Del. Gustavo A. Madero, C.P. 07700

 Tel.: (55) 5999 1590

 Correo: [ventas@herko.com.mx](mailto:ventas@herko.com.mx)